

# Air injection Vacuum Blower VTB 805.xl

Hibon Ingersoll Rand presents new state-of-the-art technology in three-lobe, positive displacement blowers. The VTB XL series air-injected, high-vacuum blowers offer a wide range of design features and incorporate energy efficiency improvements, complying with the strictest operational requirements of a variety of applications. These high-vacuum blowers are ideally suited for the rigorous demand of the vacuum truck market. Hibon is a worldwide leader in three-lobe positive displacement blower technology with thousands of units installed around the globe.

### Characteristics

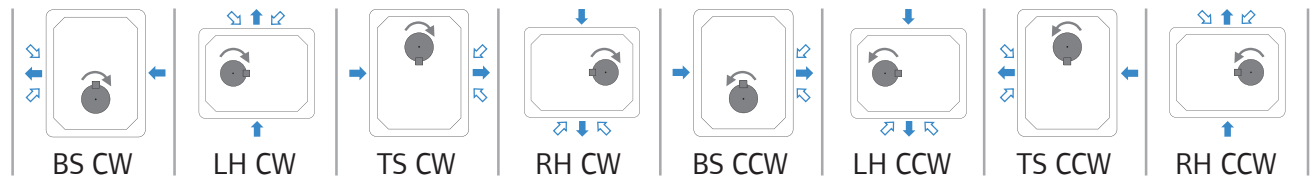
- Three-lobe impeller construction
- Unique air injection system
- Increased efficiency
- Clearances adjusted automatically during assembly
- Larger oil capacity
- High volume oil thrower
- High performance sealing arrangement using 4 piston rings
- For Europe only, available in ATEX on request

Ex II 2/2 G/D c, II BT3, 160° C X

### Benefits

- Quieter operation than two-lobe impeller construction
- Allows high vacuum including "dead end" operation without overheating
- No oil or water cooling system (100% oil free air)
- Requires less horsepower for the same performance
- Easier maintenance
- Runs cooler
- Better lubrication of bearings
- Less frequent oil changes

### Configurations



### Better by design

Configuration	With feet option	Without feet option
BS CW	F0145701111	F014570111
LH CW	.	F014570101
TS CW	F0145701211	F014570121
RH CW	.	F014570131
BS CCW	F0145701101	F014570110
LH CCW	.	F014570100
TS CCW	F0145701201	F014570120
RH CCW	.	F014570130

- ↻ Shaft rotation
- ➡ Air flow
- ↻ Air injection
- RH = Right hand shaft
- LH = Left hand shaft
- BS = Bottom shaft
- TS = Top shaft
- CW = Clockwise rotation
- CCW = Counter clockwise rotation

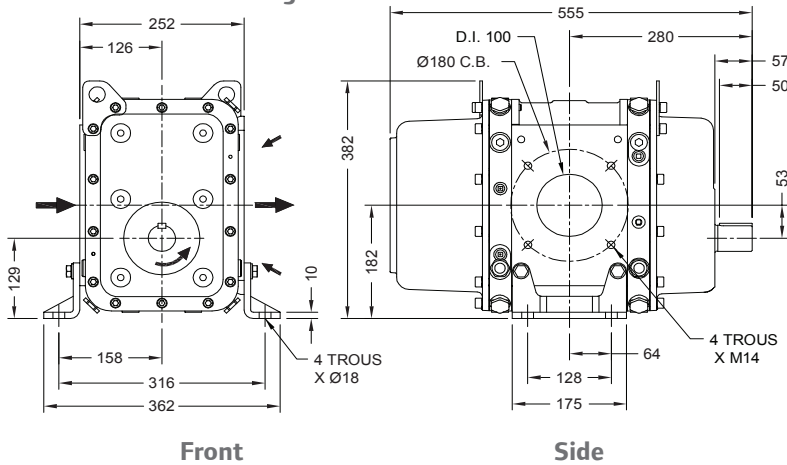
### Performance chart

Speed (tr/min)	VOLUME DISPLACEMENT (1028 m <sup>3</sup> /h)*															
	30% Vacuum		40% Vacuum		50% Vacuum		60% Vacuum		70% Vacuum		80% Vacuum		87% Vacuum		90% Vacuum	
RPM	m <sup>3</sup> /h	kW	m <sup>3</sup> /h	kW	m <sup>3</sup> /h	kW	m <sup>3</sup> /h	kW	m <sup>3</sup> /h	kW	m <sup>3</sup> /h	kW	m <sup>3</sup> /h	kW	m <sup>3</sup> /h	kW
2600	446	5	424	6	383	8	345	10	290	11	114	13	-	-	-	-
2900	505	6	484	7	446	9	408	11	351	13	173	14	-	-	-	-
3200	564	7	544	8	508	10	470	12	413	14	233	16	48	18	-	-
3500	623	8	604	10	570	11	532	14	474	16	292	17	109	19	-	-
3800	683	8	663	11	633	13	594	15	535	17	352	19	170	21	-	-
4000	722	9	703	11	674	13	636	16	576	18	392	20	210	22	-	-
4200	761	10	743	12	716	14	677	17	617	19	431	21	251	24	23	24
4400	801	10	783	13	757	15	719	18	658	20	471	22	292	25	69	26
4600	840	11	823	13	799	16	761	18	699	21	511	23	332	26	114	27
4800	880	11	863	14	840	16	802	19	740	22	551	24	373	27	160	28

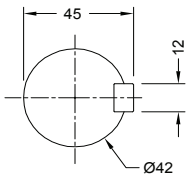
\* Volume displacement at maximum speed.

## VTB 805.XL Dimensions

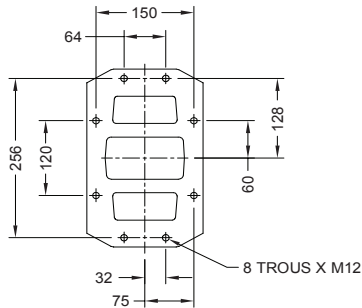
### BS CCW Configuration Vertical gears



#### Shaft details

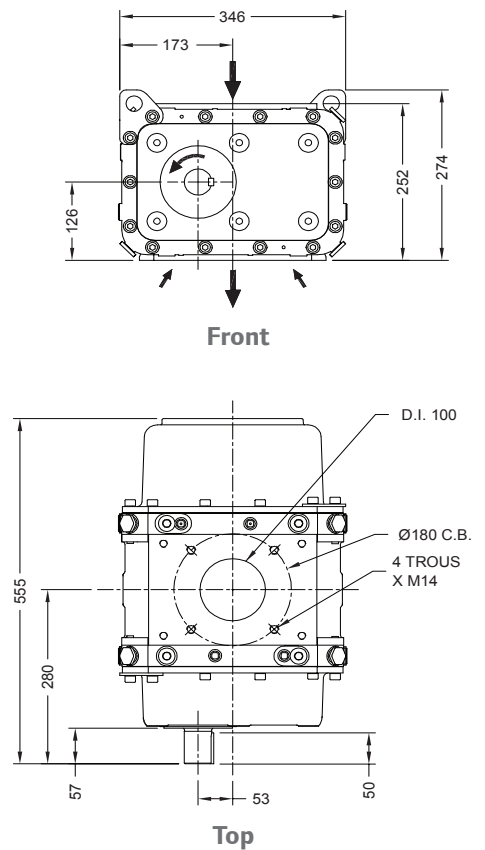


#### Discharge Flange



- Notes:
1. English units (mm)
  2. Weight: 120 Kg
  3. Other configurations also available on request.
  4. Do not use for construction
  5. TROUS = HOLES

### LH CCW Configuration Horizontal gears



## Spare parts and accessories

Kit 1 - STANDARD MAINTENANCE KIT	Kit 2 - SET OF RING HOLDERS	Kit 3 - SET OF GEARS	MANIFOLD AND DISCHARGE/INJECTION MANIFOLD GASKETS	HIBON LUBE 2 liters or 5 liters
Contains all parts required for 40 000 h. maintenance				

For more information about spares and accessories, contact your nearest Service Center or Ingersoll Rand - HIBON company.

Compressed Air Systems and Services  
Hibon Inc  
100 Voyageur Pointe Claire, Quebec  
Canada, H9R 6A8  
Tel: +1 514 631-3501  
Fax: +1 877 584 0307  
www.hibon.com www.ingersollrand.com

Ingersoll Rand (NYSE:IR) advances the quality of life by creating comfortable, sustainable and efficient environments. Our people and our family of brands—including Club Car®, Ingersoll Rand®, Thermo King® and Trane®—work together to enhance the quality and comfort of air in homes and buildings; transport and protect food and perishables; and increase industrial productivity and efficiency. We are a \$13 billion global business committed to a world of sustainable progress and enduring results.

ingersollrandproducts.com  
We are committed to using environmentally conscious print practices

Ingersoll Rand Air Solutions Hibon®  
2 avenue Jean-Paul Sartre, 59290 WASQUEHAL France  
Tel: +33 (0)3 20 45 39 39  
Fax: +33 (0)3 20 45 39 20 (Fax Service)  
www.hibon.com www.ingersollrand.com  
email : hibon@irco.com



©2017 Ingersoll-Rand Company