

# Air injection Vacuum Blower

## VTB 820.xl

Hibon Ingersoll Rand presents new state-of-the-art technology in three-lobe, positive displacement blowers. The VTB XL series air-injected, high-vacuum blowers offer a wide range of design features and incorporate energy efficiency improvements, complying with the strictest operational requirements of a variety of applications. These high-vacuum blowers are ideally suited for the rigorous demand of the vacuum truck market. Hibon is a worldwide leader in three-lobe positive displacement blower technology with thousands of units installed around the globe.

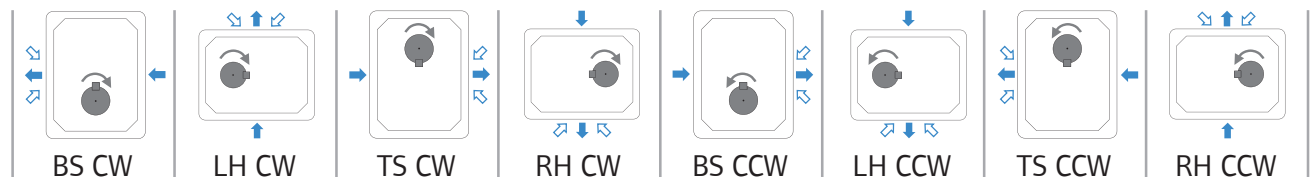
### Characteristics

- Three-lobe impeller construction
  - Unique air injection system
  - Increased efficiency
  - Clearances adjusted automatically during assembly
  - Larger oil capacity
  - High volume oil thrower
  - High performance sealing arrangement using 4 piston rings
  - For Europe only, available in ATEX on request
- ⊕ II 2/2 G/D c, II BT3, 160° C X

### Benefits

- Quieter operation than two-lobe impeller construction
- Allows high vacuum including "dead end" operation without overheating
- No oil or water cooling system (100% oil free air)
- Requires less horsepower for the same performance
- Easier maintenance
- Runs cooler
- Better lubrication of bearings
- Less frequent oil changes

### Configurations



### Better by design

Configuration	With feet option	Without feet option
BS CW	F0155701111	F015570111
LH CW	.	F015570101
TS CW	F0155701211	F015570121
RH CW	.	F015570131
BS CCW	F0155701101	F015570110
LH CCW	.	F015570100
TS CCW	F0155701201	F015570120
RH CCW	.	F015570130

- ↻ Shaft rotation
- ➡ Air flow
- ⇄ Air injection
- RH = Right hand shaft
- LH = Left hand shaft
- BS = Bottom shaft
- TS = Top shaft
- CW = Clockwise rotation
- CCW = Counter clockwise rotation

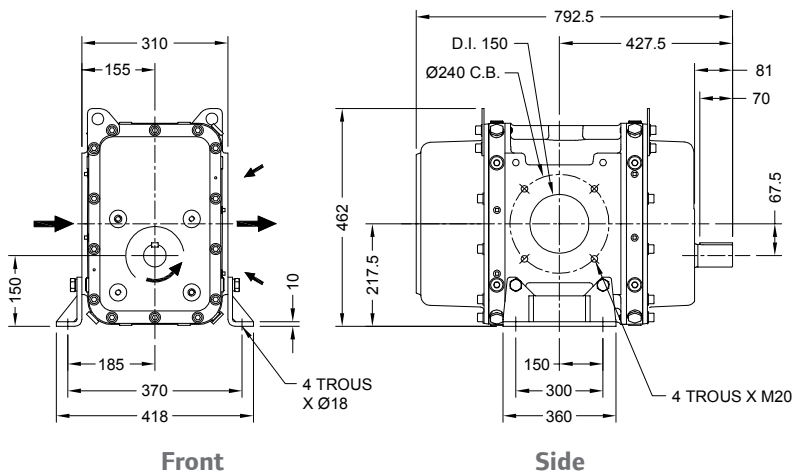
### Performance chart

VOLUME DISPLACEMENT ( 2822 m <sup>3</sup> /h)*														
Speed (tr/min)	30% Vacuum		40% Vacuum		50% Vacuum		60% Vacuum		70% Vacuum		80% Vacuum		90% Vacuum	
	m <sup>3</sup> /h	kW	m <sup>3</sup> /h	kW	m <sup>3</sup> /h	kW	m <sup>3</sup> /h	kW	m <sup>3</sup> /h	kW	m <sup>3</sup> /h	kW	m <sup>3</sup> /h	kW
2200	1333	17	1297	21	1237	26	1143	30	1032	34	858	36	258	40
2600	1611	20	1576	25	1520	31	1433	36	1322	40	1160	43	493	47
2800	1750	22	1715	27	1661	33	1577	39	1467	43	1311	47	611	51
3000	1888	23	1854	29	1802	36	1722	41	1613	46	1463	50	729	55
3200	2027	25	1993	31	1943	38	1867	44	1758	50	1614	54	846	59
3400	2166	27	2132	34	2085	41	2012	47	1903	53	1765	58	964	63
3600	2304	29	2272	36	2226	44	2156	50	2048	56	1916	62	1082	67
3800	2443	31	2411	39	2367	46	2301	52	2193	60	2067	65	-	-

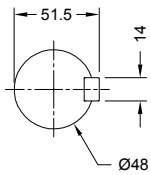
\* Volume displacement at maximum speed.

## VTB 820.XL Dimensions

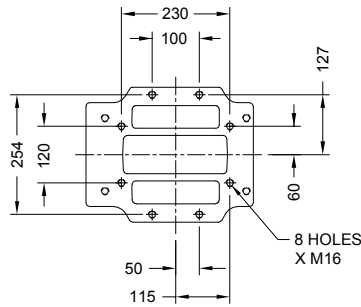
### BS CCW Configuration Vertical gears



#### Shaft details



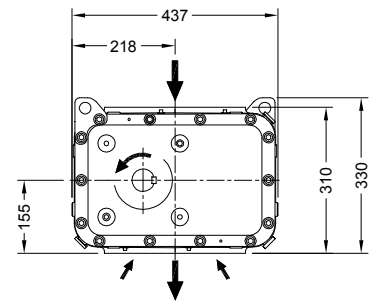
#### Discharge Flange



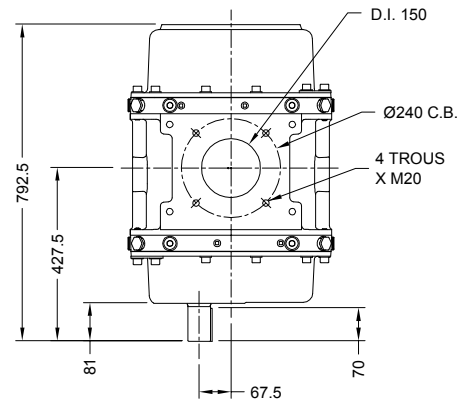
#### Notes:

1. English units (mm)
2. Weight: 255 Kg
3. Other configurations also available on request.
4. Do not use for construction
5. TROUS = HOLES

### LH CCW Configuration Horizontal gears



Front



Top

## Spare parts and accessories

Kit 1 - STANDARD MAINTENANCE KIT	Kit 2 - SET OF RING HOLDERS	Kit 3 - SET OF GEARS	MANIFOLD AND DISCHARGE/INJECTION MANIFOLD GASKETS	HIBON LUBE 2 liters or 5 liters
Contains all parts required for 40 000 h. maintenance				

For more information about spares and accessories, contact your nearest Service Center or Ingersoll Rand - HIBON company.

Compressed Air Systems and Services  
Hibon Inc  
100 Voyageur Pointe Claire, Quebec  
Canada, H9R 6A8  
Tel: +1 514 631-3501  
Fax: +1 877 584 0307  
www.hibon.com www.ingersollrand.com

Ingersoll Rand (NYSE:IR) advances the quality of life by creating comfortable, sustainable and efficient environments. Our people and our family of brands—including Club Car®, Ingersoll Rand®, Thermo King® and Trane®—work together to enhance the quality and comfort of air in homes and buildings; transport and protect food and perishables; and increase industrial productivity and efficiency. We are a \$13 billion global business committed to a world of sustainable progress and enduring results.

ingersollrandproducts.com  
We are committed to using environmentally conscious print practices

Ingersoll Rand Air Solutions Hibon®  
2 avenue Jean-Paul Sartre, 59290 WASQUEHAL France  
Tel: +33 (0)3 20 45 39 39  
Fax: +33 (0)3 20 45 39 20 (Fax Service)  
www.hibon.com www.ingersollrand.com  
email : hibon@irco.com



©2017 Ingersoll-Rand Company