



VTB820.S *Silentflow package*

Hibon Ingersoll Rand, the leading supplier of three-lobe, positive displacement blowers for the Vacuum truck industry, presents the new Silent Flow Package for the VTB820.XL model blower. The blower, capable of pulling a vacuum up to 28" Hg with a flow rate up to 1661 CFM, is well known for its durable construction and un-matched performance. The package solution "plug-n-play" system offers numerous benefits.

Characteristics

- Unique air injection system of the VTB.XL blowers
- Plug-n-Play solution
- Reduced Size
- Three-lobe impeller construction
- Unique air injection system
- Increased efficiency
- Larger oil capacity
- High volume oil thrower
- High performance sealing arrangement using 4 piston rings

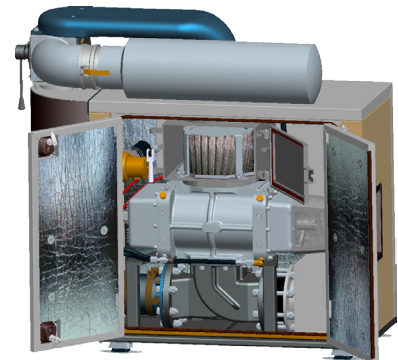
Benefits

- Durable construction
- Un-matched performance
- Reducing the sourcing, procurement and assembly times
- No oil or water cooling system (100% oil free air)
- Compact design allows for a better fit behind the cab or mounted on the frame
- Easily check oil levels
- Easily measure pressure drop across inlet air filter
- Pressure/vacuum performances improved
- Increasing blower life
- Safely exhaust air away from operators
- Greatly reducing blower sound levels at full vacuum and various speeds

Components

Package includes :

- VTB 820.XL
- Exhaust manifold and Silencer
- Air Injection silencer
- Pressure relief valve
- 4-way valve
- Gauges
- Sound enclosure
- Vibration isolation pads
- All necessary plumbing and hardware

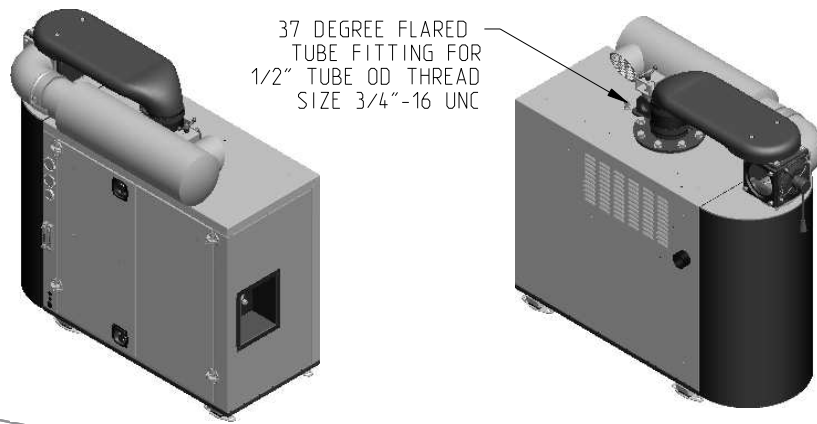
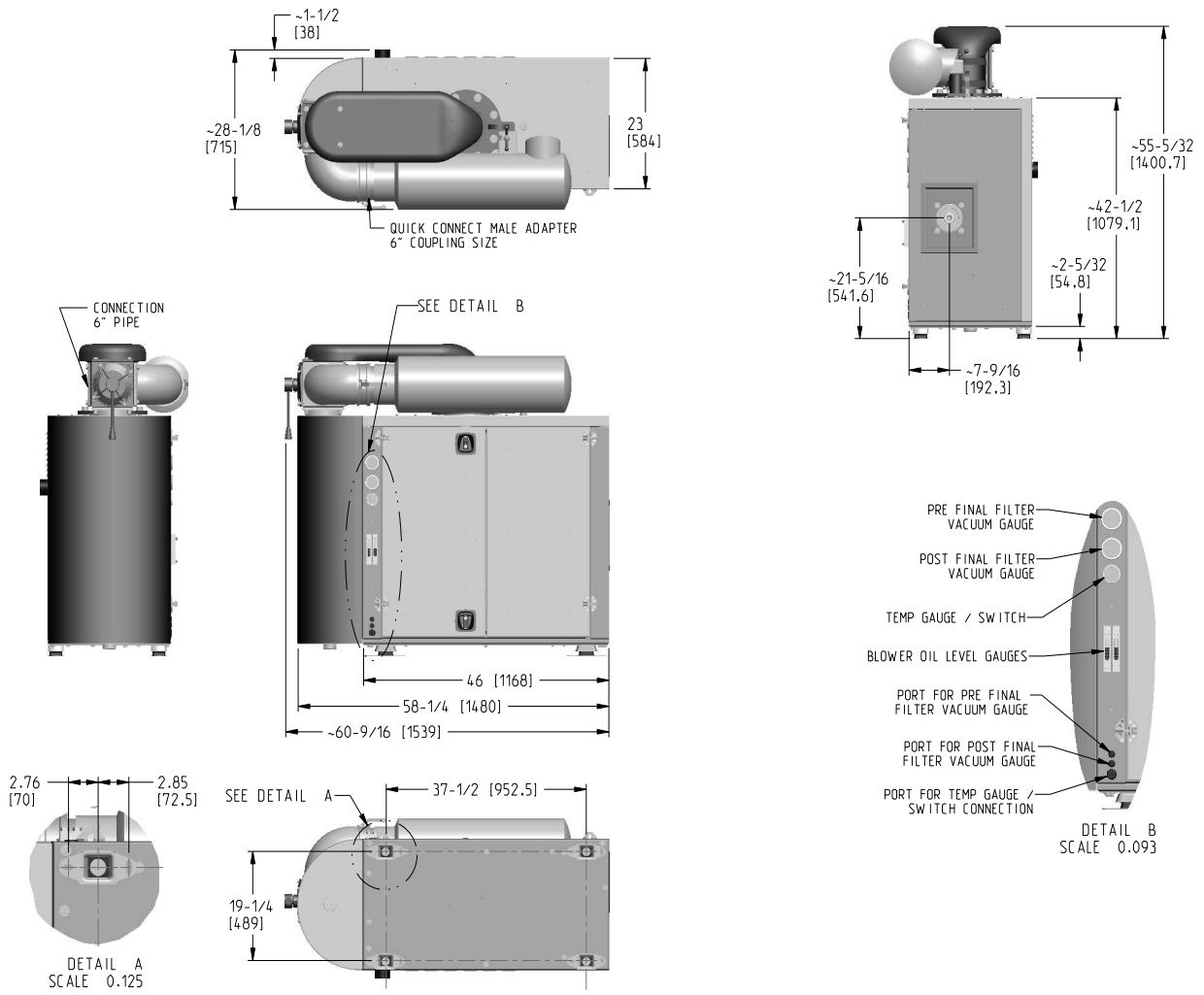


Performance chart

VOLUME DISPLACEMENT * (1661 CFM)														
Speed (RPM)	9" HG		12" HG		15" HG		18" HG		21" HG		24" HG		27" HG	
RPM	CFM	BHP	CFM	BHP	CFM	BHP	CFM	BHP	CFM	BHP	CFM	BHP	CFM	BHP
2200	785	22	764	28	728	35	673	41	608	45	505	49	152	53
2600	948	27	955	33	894	41	843	48	778	54	683	58	290	63
2800	1030	29	1042	36	978	44	928	52	864	58	772	63	360	68
3000	1111	31	1128	39	1061	48	1014	55	949	62	861	67	429	74
3200	1193	34	1215	42	1144	51	1099	59	1035	67	950	72	498	79
3400	1275	36	1302	45	1227	55	1184	63	1120	71	1039	77	567	84
3600	1356	39	1389	49	1310	58	1269	67	1205	76	1128	83	637	90
3800	1438	42	1476	52	1393	62	1354	70	1291	80	1217	87	-	-

* Volume displacement at maximum speed.

VTB820.S Silentflow Package Dimensions



Compressed Air Systems and Services
 Hibon Inc
 100 Voyageur Pointe Claire, Quebec
 Canada, H9R 6A8
 Tel: +1 514 631-3501
 Fax: +1 877 584 0307
 www.hibon.com www.ingersollrand.com

Ingersoll Rand (NYSE:IR) advances the quality of life by creating comfortable, sustainable and efficient environments. Our people and our family of brands—including Club Car®, Ingersoll Rand®, Thermo King® and Trane®—work together to enhance the quality and comfort of air in homes and buildings; transport and protect food and perishables; and increase industrial productivity and efficiency. We are a \$13 billion global business committed to a world of sustainable progress and enduring results.

ingersollrandproducts.com
 We are committed to using environmentally conscious print practices

Ingersoll Rand Air Solutions Hibon®
 2 avenue Jean-Paul Sartre, 59290 WASQUEHAL France
 Tel: +33 (0)3 20 45 39 45 (ligne directe)
 Fax: +33 (0)3 20 45 39 20 (Fax Service)
 www.hibon.com www.ingersollrand.com
 email : hibon@irco.com

