

Air injection Vacuum Blower

VTB 810.XL

Hibon Ingersoll Rand presents new state-of-the-art technology in three-lobe, positive displacement blowers. The VTB XL series air-injected, high-vacuum blowers offer a wide range of design features and incorporate energy efficiency improvements, complying with the strictest operational requirements of a variety of applications. These high-vacuum blowers are ideally suited for the rigorous demand of the vacuum truck market. Hibon is a worldwide leader in three-lobe positive displacement blower technology with thousands of units installed around the globe.

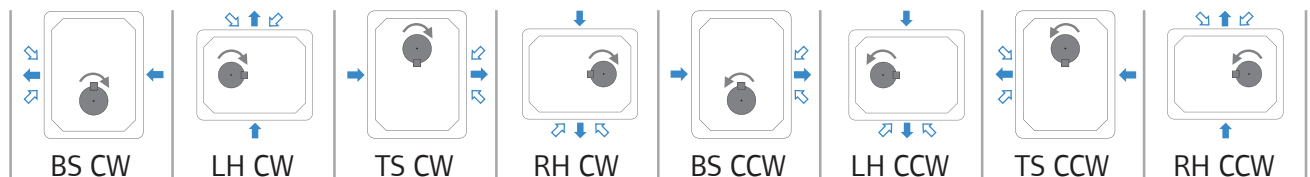
Characteristics

- Three-lobe impeller construction
 - Unique air injection system
 - Increased efficiency
 - Clearances adjusted automatically during assembly
 - Larger oil capacity
 - High volume oil thrower
 - High performance sealing arrangement using 4 piston rings
 - For Europe only, available in ATEX on request
- ⊠ II 2/2 G/D c, II BT3, 160° C X

Benefits

- Quieter operation than two-lobe impeller construction
- Allows high vacuum including "dead end" operation without overheating
- No oil or water cooling system (100% oil free air)
- Requires less horsepower for the same performance
- Easier maintenance
- Runs cooler
- Better lubrication of bearings
- Less frequent oil changes

Configurations



Better by design

Configuration	With feet option	Without feet option
BS CW	F0156901111	F015690111
LH CW	.	F015690101
TS CW	F0156901211	F015690121
RH CW	.	F015690131
BS CCW	F0156901101	F015690110
LH CCW	.	F015690100
TS CCW	F0156901201	F015690120
RH CCW	.	F015690130

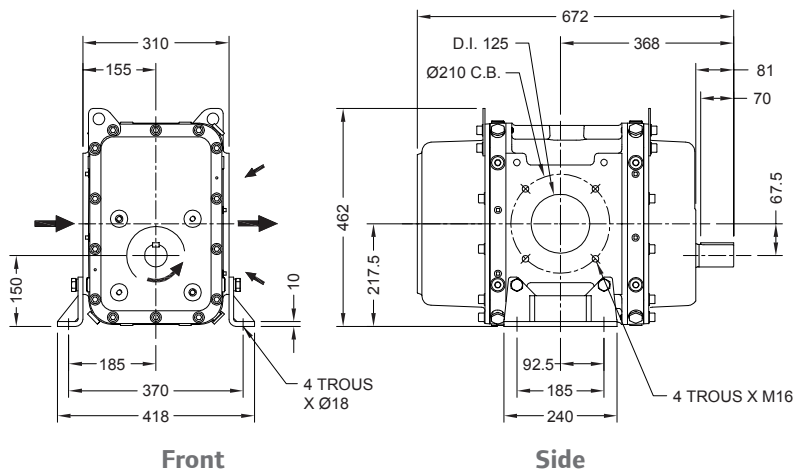
- ↻ Shaft rotation
- ➡ Air flow
- ⇄ Air injection
- RH = Right hand shaft
- LH = Left hand shaft
- BS = Bottom shaft
- TS = Top shaft
- CW = Clockwise rotation
- CCW = Counter clockwise rotation

Performance chart

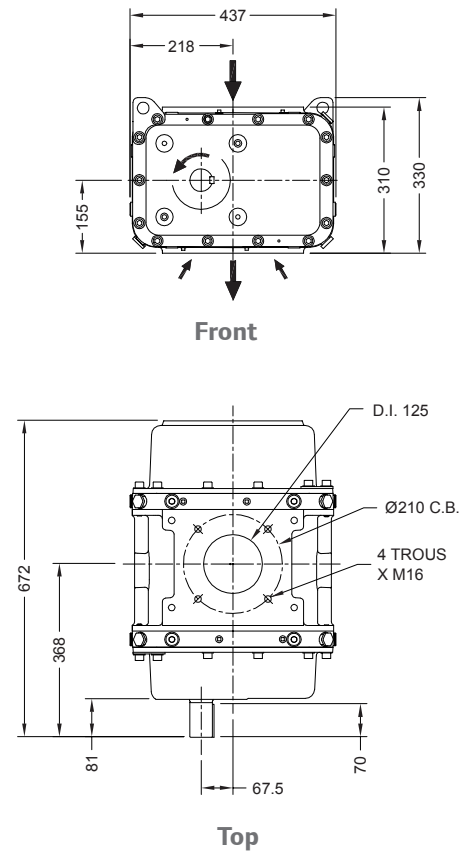
VOLUME DISPLACEMENT (1901 m ³ /h)*														
Speed (tr/min)	30% Vacuum		40% Vacuum		50% Vacuum		60% Vacuum		70% Vacuum		80% Vacuum		90% Vacuum	
RPM	m ³ /h	kW	m ³ /h	kW	m ³ /h	kW	m ³ /h	kW	m ³ /h	kW	m ³ /h	kW	m ³ /h	kW
2200	973	11	947	14	908	16	855	19	778	22	571	24	164	28
2600	1189	13	1165	16	1130	19	1077	23	1008	26	812	29	392	33
2800	1298	14	1274	18	1241	21	1188	25	1123	28	932	32	506	36
3000	1406	16	1383	19	1352	22	1300	27	1238	31	1052	34	620	39
3200	1514	17	1492	21	1463	24	1411	29	1353	33	1172	37	734	42
3400	1622	18	1601	22	1574	26	1522	31	1468	35	1292	39	848	44
3600	1730	19	1710	24	1685	28	1633	34	1583	38	1412	42	962	47
3800	1839	21	1819	26	1796	30	1744	36	1698	41	1532	45	-	-

* Volume displacement at maximum speed.

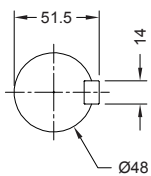
VTB 810.XL Dimensions BS CCW Configuration Vertical gears



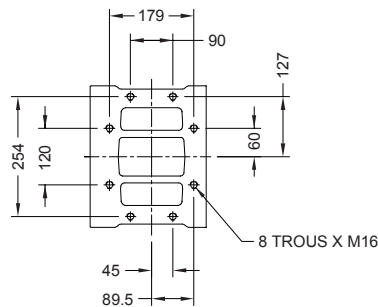
LH CCW Configuration Horizontal gears



Shaft details



Discharge Flange



- Notes:**
1. English units (mm)
 2. Weight: 213 Kg
 3. Other configurations also available on request.
 4. Do not use for construction
 5. TROUS = HOLES

Spare parts and accessories

Kit 1 - STANDARD MAINTENANCE KIT	Kit 2 - SET OF RING HOLDERS	Kit 3 - SET OF GEARS	MANIFOLD AND DISCHARGE/INJECTION MANIFOLD GASKETS	HIBON LUBE LUBE - 2 liters or 5 liters
Contains all parts required for 40 000 h. maintenance				

For more information about spares and accessories, contact your nearest Service Center or Ingersoll Rand - HIBON company.

Compressed Air Systems and Services
Hibon Inc
100 Voyageur Pointe Claire, Quebec
Canada, H9R 6A8
Tel: +1 514 631-3501
Fax: +1 877 584 0307
www.hibon.com www.ingersollrand.com

Ingersoll Rand (NYSE:IR) advances the quality of life by creating comfortable, sustainable and efficient environments. Our people and our family of brands—including Club Car®, Ingersoll Rand®, Thermo King® and Trane®—work together to enhance the quality and comfort of air in homes and buildings; transport and protect food and perishables; and increase industrial productivity and efficiency. We are a \$13 billion global business committed to a world of sustainable progress and enduring results.

ingersollrandproducts.com
We are committed to using environmentally conscious print practices

Ingersoll Rand Air Solutions Hibon®
2 avenue Jean-Paul Sartre, 59290 WASQUEHAL France
Tel: +33 (0)3 20 45 39 39
Fax: +33 (0)3 20 45 39 20 (Fax Service)
www.hibon.com www.ingersollrand.com
email : hibon@irco.com



©2017 Ingersoll-Rand Company