

Medium Vacuum Blower

TS 32

Hibon Ingersoll Rand is known for always designing innovative technologies that give you peace of mind. The TS Two-Lobe series, Medium Vacuum blowers offer a wide range of design features and incorporate energy efficiency improvements, complying with the strictest operational requirements of a variety of applications. These Medium Vacuum blowers are ideally suited for the rigorous demand of the vacuum truck market. Hibon is a worldwide leader in positive displacement blower technology with thousands of units installed around the globe.

Characteristics

Drop in a Medium Vacuum Blower from Ingersoll Rand Hibon and achieve 18" Hg of continuous duty vacuum. TS Series Blowers are road-ready with intrinsic washdown protection and our tri-seal shaft-sealing system to prevent leaks.

Features and Benefits

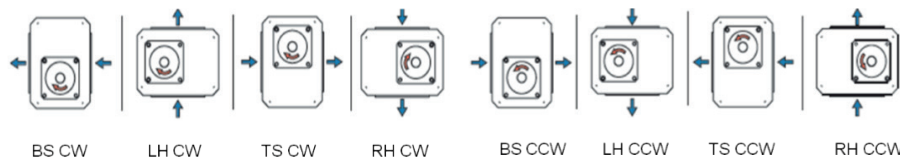
- 18" Hg vacuum is standard.
- Tri-seal shaft sealing system.
- Centrally timed.
- Robust road tested design.
- Rugged bulls eye sight glasses.
- Washdown protection package

Applications

- Mobile waste handling units, industrial, municipal, wet and dry.
- Pneumatic conveying (fly ash, chemicals, pharmaceuticals)
- Central vacuum systems (packaging, envelope manufacturing)
- Deaeration (chemical, plastics, brick and ceramics)
- Hydro excavation

Better by design

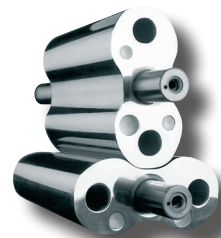
Configuration



RH = Right hand shaft
 LH = Left hand shaft
 BS = Bottom shaft
 TS = Top shaft
 CW = Clockwise rotation
 CCW = Counter clockwise rotation

Performance chart

Speed (RPM)	VOLUME DISPLACEMENT *(3540 CFM)											
	3" HG		6" HG		9" HG		12" HG		15" HG		18" HG	
RPM	CFM	BHP	CFM	BHP	CFM	BHP	CFM	BHP	CFM	BHP	CFM	BHP
1500	1471	13	1392	25	1278	35	1182	46				
2000	2062	17	1983	32	1873	46	1770	61	1680	75		
2500	2653	21	2574	40	2467	58	2357	76	2268	94	2158	115
2750	2948	23	2870	43	2765	64	2651	84	2561	104	2664	126
3000	3244	25	3166	47	3062	70	2945	92	2855	113	2832	127
3200	3480	27	3402	50	3300	75	3180	98	3090	121	2967	146



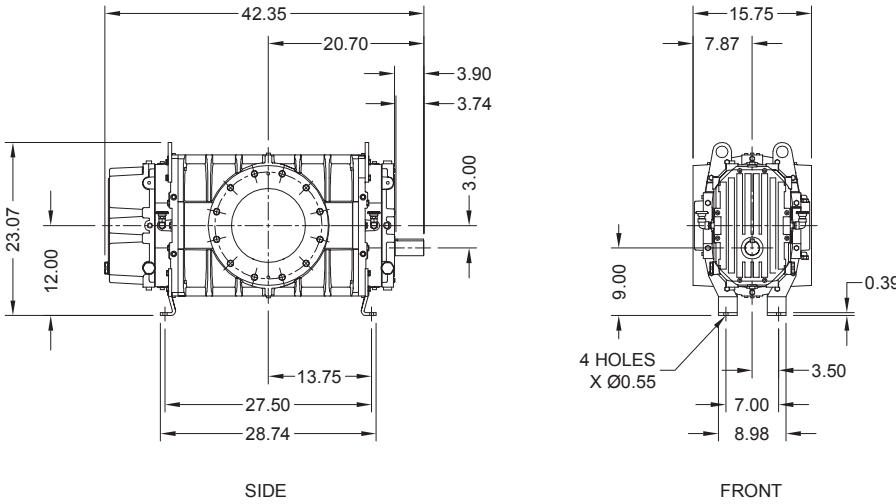
* Free air displacement at maximum speed.

Performance data is based on an inlet temperature of 68°F at sea level.

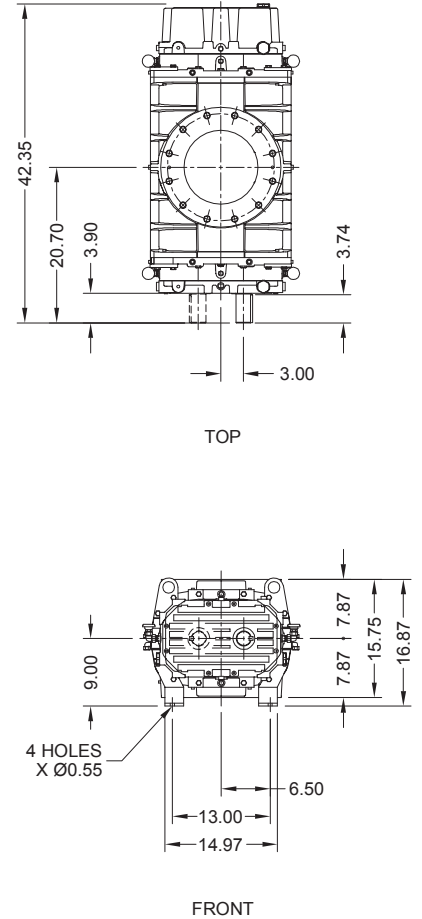
TS Series blowers are also capable of operating in pressure mode. Please contact the factory for pressure performance curves.

TS32 Dimensions

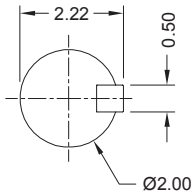
VERTICAL GEARS



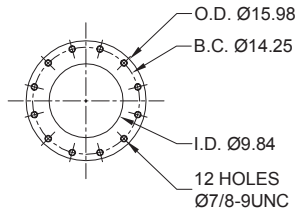
HORIZONTAL GEARS



SHAFT DETAILS



INLET/DISCHARGE FLANGES



- NOTES:
1. ENGLISH UNITS (INCH) UNLESS OTHERWISE NOTED.
 2. WEIGHT: 1034 lbs.
 3. DO NOT USE FOR CONSTRUCTION.

Spare parts and accessories

For more information about spares and accessories, contact your nearest Authorized Service Center or Hibon Inc. (an Ingersoll Rand company).



Compressed Air Systems and Services
 Hibon Inc
 100 Voyageur Pointe Claire, Quebec
 Canada, H9R 6A8
 Tel: +1 514 631-3501
 Fax: +1 877 584 0307
 www.hibon.com www.ingersollrand.com

Ingersoll Rand (NYSE:IR) advances the quality of life by creating comfortable, sustainable and efficient environments. Our people and our family of brands—including Club Car®, Ingersoll Rand®, Thermo King® and Trane®—work together to enhance the quality and comfort of air in homes and buildings; transport and protect food and perishables; and increase industrial productivity and efficiency. We are a \$13 billion global business committed to a world of sustainable progress and enduring results.

ingersollrandproducts.com
 We are committed to using environmentally conscious print practices

Ingersoll Rand Air Solutions Hibon®
 2 avenue Jean-Paul Sartre, 59290 WASQUEHAL France
 Tel: +33 (0)3 20 45 39 39
 Fax: +33 (0)3 20 45 39 20 (Fax Service)
 www.hibon.com www.ingersollrand.com
 email : hibon@irco.com



©2019Ingersoll-Rand Company