



# New VTB 820.VS

## 28" Hg Vacuum Blower

### with the Patented Venturi System

### providing up to 10 dBa sound reduction

### without compromising reliability and performance.

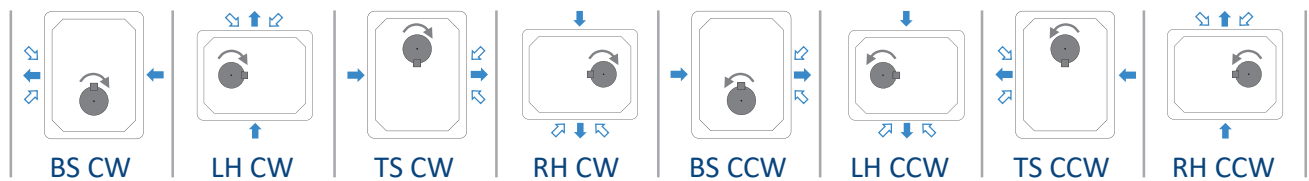
Hibon Ingersoll Rand introduces the new 100% oil free **Three-Lobe Positive Displacement VS Series** Blower with patented sound reduction technology along with its incomparable brand **reliability** for the rigorous demands of the **vacuum truck industry** and **industrial applications**.

The **VS Series** is engineered to silence the pulsations inside the blower generating a sound wall.

This **new patented technology** includes a **Venturi** for a secondary air injection path into the air chamber while maintaining its advantage of direct air injection to stabilize heat rise.

The result translates **Hibon VS Series** into the **Quietest Blower available**.

### Configurations



Configuration	With feet option	Without feet
BS CW	F0158901111M	F015890111M
LH CW	•	F015890101M
TS CW	F0158901211M	F015890121M
RH CW	•	F015890131M
BS CCW	F0158901101M	F015890110M
LH CCW	•	F015890100M
TS CCW	F0158901201M	F015890120M
RH CCW	•	F015890130M

- Shaft rotation
- Air flow
- Air injection
- RH = Right hand shaft
- LH = Left hand shaft
- BS = Bottom shaft
- TS = Top shaft
- CW = Clockwise rotation
- CCW = Counter clockwise rotation

### Performance chart

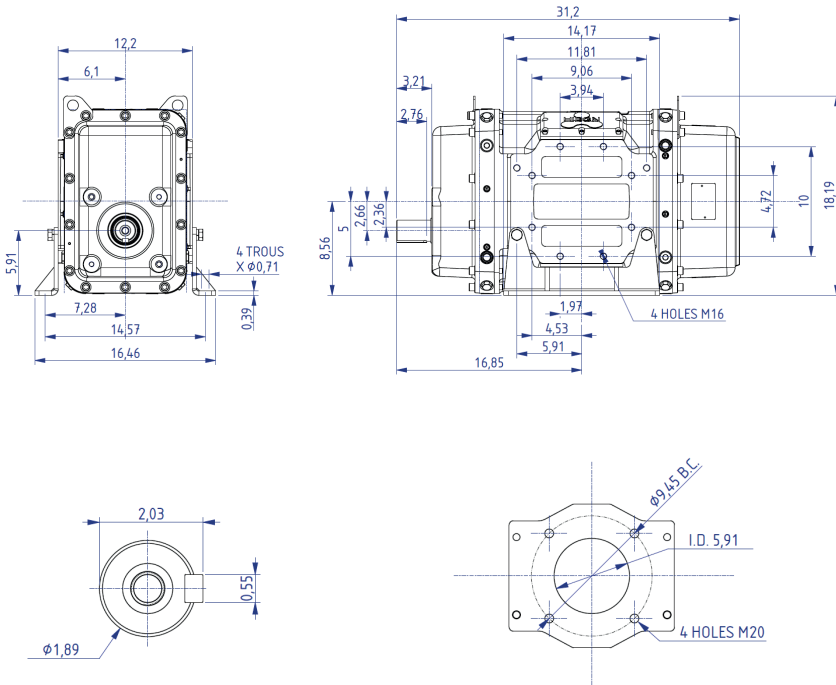
VOLUME DISPLACEMENT *( 1661 CFM )														
Speed (RPM)	9" HG		12" HG		15" HG		18" HG		21" HG		24" HG		27" HG	
	CFM	BHP	CFM	BHP	CFM	BHP	CFM	BHP	CFM	BHP	CFM	BHP	CFM	BHP
2200	785	22	764	28	728	35	673	41	608	45	505	49	152	53
2600	948	27	955	33	894	41	843	48	778	54	683	58	290	63
2800	1030	29	1042	36	978	44	928	52	864	58	772	63	360	68
3000	1111	31	1128	39	1061	48	1014	55	949	62	861	67	429	74
3200	1193	34	1215	42	1144	51	1099	59	1035	67	950	72	498	79
3400	1275	36	1302	45	1227	55	1184	63	1120	71	1039	77	567	84
3600	1356	39	1389	49	1310	58	1269	67	1205	76	1128	83	637	90
3800	1438	42	1476	52	1393	62	1354	70	1291	80	1217	87	-	-

\* Volume displacement at maximum speed. BO = Blanked off

# VTB 820.VS

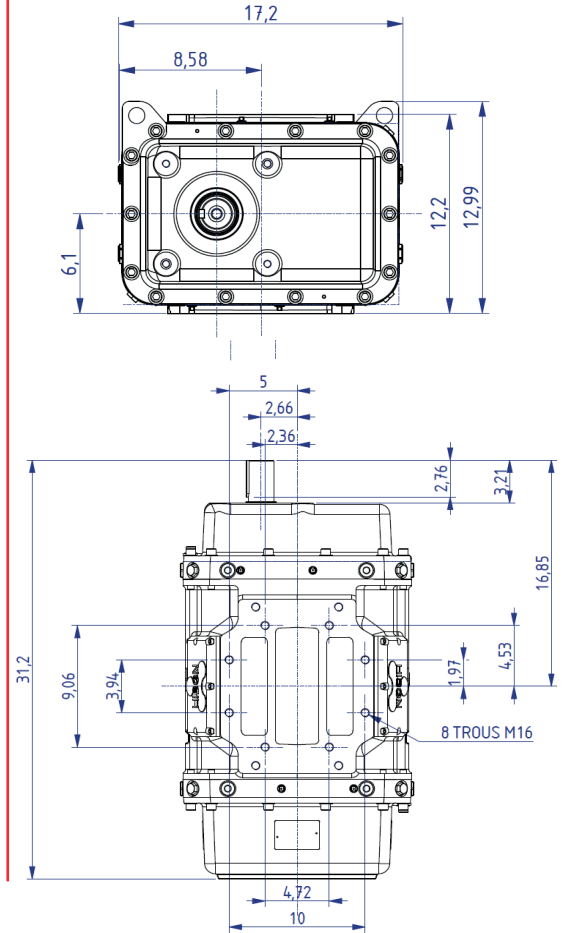
# Dimensions

## BS CCW Configuration



- NOTES:
1. ENGLISH UNITS (INCH) UNLESS OTHERWISE NOTED.
  2. WEIGHT: 582 lbs.
  3. C.W SHAFT ROTATION ALOS AVAILABLE ON REQUEST.
  4. DO NOT USE FOR CONSTRUCTION
  5. OTHERS CONFIGURATIONS ALSO AVAILABLE ON REQUEST

## LH CCW Configuration



## Spare parts and accessories

KIT 1 - STANDARD MAINTENANCE KIT	KIT 2 - SET OF RING HOLDERS	KIT 3 - SET OF GEARS	MANIFOLD & DISCHARGE/INJECTION MANIFOLD GASKETS	HIBON LUBE
<p>Contains all parts required for 40 000 h. maintenance</p> 				

For more information about spares and accessories, contact your nearest Service Center or Ingersoll Rand - HiBON company.



COMPRESSED AIR SYSTEMS  
AND SERVICES HIBON INC

100 Voyageur  
Pointe-Claire, Quebec  
Canada  
H9R 6A8

T: +1 514 631-3501  
F: +1 877 584 0307

[www.hibon.com](http://www.hibon.com)

Ingersoll Rand Inc. (NYSE:IR), driven by an entrepreneurial spirit and ownership mindset, is dedicated to helping make life better for our employees, customers and communities. Customers lean on us for our technology-driven excellence in mission-critical flow creation and industrial solutions across 40+ respected brands where our products and services excel in the most complex and harsh conditions. Our employees develop customers for life through their daily commitment to expertise, productivity and efficiency. For more information, visit [www.IRco.com](http://www.IRco.com).

©2022 Ingersoll-Rand Company

DS-VTB820VS\_US-I

