

## NX3

NX series blowers due to their innovative design offer many advantages to the end user. The NX series blowers can be used as a direct replacement for most SN series blowers allowing a simple upgrade solution while minimizing downtime.

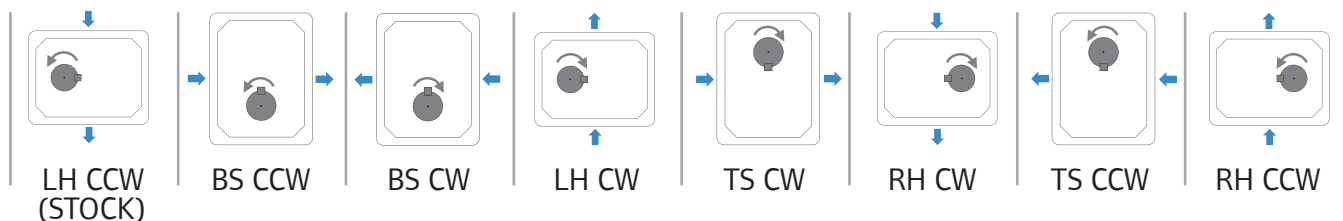
### NX series features

- Three lobe impellers
- Drop-in replacement of the SN series blowers
- Pre-set internal clearances
- Large capacity oil sump
- High flow oil thrower disc
- Set of standardized spare parts

### Benefits

- Reliability and durability
- Ease of maintenance and pre-set clearances for reassembly
- Efficient Design, lower discharge temperatures
- Better bearing lubrication
- Less frequent oil changes

### Configurations



Configuration	With feet option	Without feet
LH CCW	F0141 601 001	F0141 601 00
BS CCW	F0141 601 101	F0141 601 10
BS CW	F0141 601 111	F0141 601 11
LH CW	F0141 601 011	F0141 601 01
TS CW	F0141 601 211	F0141 601 21
RH CW	F0141 601 311	F0141 601 31
TS CCW	F0141 601 201	F0141 601 20
RH CCW	F0141 601 301	F0141 601 30

- ↻ Shaft rotation
- ➔ Air flow
- RH = Right hand shaft
- LH = Left hand shaft
- BS = Bottom shaft
- TS = Top shaft
- CW = Clockwise rotation
- CCW = Counter clockwise rotation

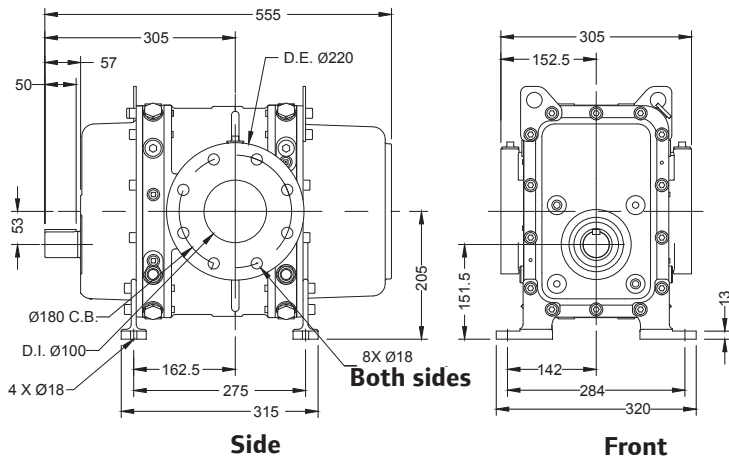
### Performance chart

20 °C / 36%RH / 1013.25 Mbar

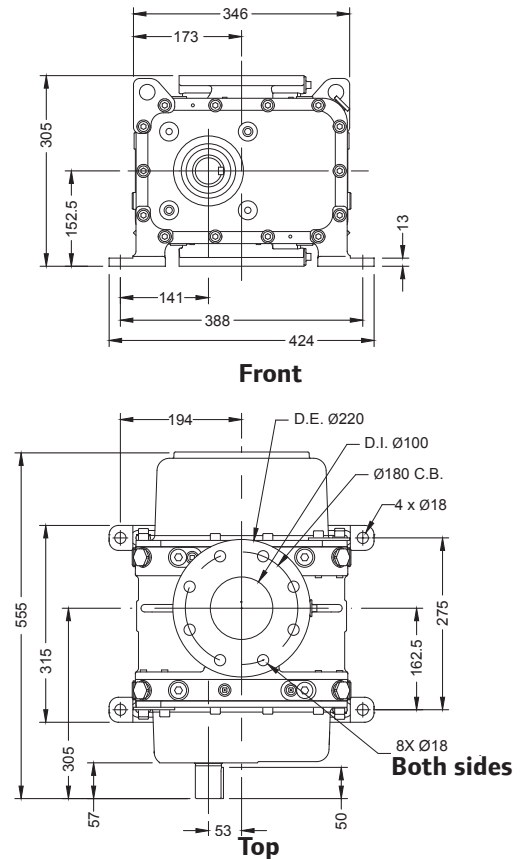
Speed (rpm)	PRESSURE (MB)									
	200		400		600		800		1 000	
	M <sup>3</sup> /h	KW	M <sup>3</sup> /h	KW	M <sup>3</sup> /h	KW	M <sup>3</sup> /h	KW	M <sup>3</sup> /h	KW
1300	187	2,3	151	3,2	124	4,8	101	7,5	80	8,0
1700	266	3,0	228	4,2	199	6,2	175	11,0	153	10,4
2100	345	3,7	305	5,1	275	7,7	249	15,0	227	12,9
2500	424	4,4	382	6,1	350	9,2	323	15,0	300	15,3
2900	503	5,1	459	7,1	426	10,6	398	18,5	373	17,7
3300	582	5,8	537	8,1	501	12,1	472	20,0	446	20,2
3700	661	6,5	614	9,1	577	13,6	546	22,0	519	22,6
4100	740	7,2	691	10,0	653	15,1	620	23,0	592	25,1
4500	819	8,0	768	11,0	728	16,5	695	25,5	665	27,5
4900	899	8,7	845	12,0	804	18,0	769	28,0	738	30,0

## NX3 Dimensions

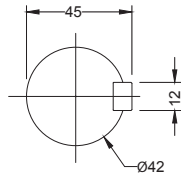
### Vertical gears



### Horizontal gears



### Shaft details



- Notes:**  
 1. English units (mm) unless otherwise noted.  
 2. Weight : 129 kg  
 3: Do not use for construction

## Spare parts

Kit 1 - STANDARD MAINTENANCE KIT	Kit 2 - SET OF RING HOLDERS	Kit 3 - SET OF GEARS	SIGHT GLASS	HIBON LUBE
Contains all parts required for 40000 h. maintenance. 				

For more information about spares and accessories, contact your nearest Service Center or Ingersoll Rand - HiBON company.

Compressed Air Systems and Services  
 Hibon Inc  
 100 Voyageur Pointe Claire, Quebec  
 Canada, H9R 6A8  
 Tel: +1 514 631-3501  
 Fax: +1 877 584 0307  
 www.hibon.com www.ingersollrand.com

Ingersoll Rand Air Solutions Hibon®  
 2 avenue Jean-Paul Sartre, 59290 WASQUEHAL France  
 Tel +33 (0) 3 20 45 39 45 (ligne directe)  
 Fax +33 (0) 3 20 45 39 20 (Fax Service)  
 email: hibon@irco.com

Ingersoll Rand (NYSE:IR) advances the quality of life by creating comfortable, sustainable and efficient environments. Our people and our family of brands—including Club Car®, Ingersoll Rand®, Thermo King® and Trane®—work together to enhance the quality and comfort of air in homes and buildings; transport and protect food and perishables; and increase industrial productivity and efficiency. We are a \$13 billion global business committed to a world of sustainable progress and enduring results.



ingersollrandproducts.com - hibon.com  
 We are committed to using environmentally conscious print practices