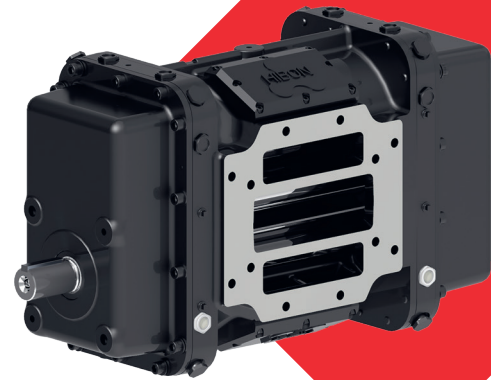


# NEW “VS” AIR COOLED HIGH VACUUM BLOWERS

WITH PATENTED **VENTURI  
PRE-INJECTION** SYSTEM ENGINEERING  
PROVIDING ADVANCED  
**SOUND REDUCTION PERFORMANCE  
WITHOUT COMPROMISE**



Hibon Ingersoll Rand's new Three lobe positive displacement blowers provides state-of-the-art sound reduction technology for the rigorous demand of the vacuum truck market. To gain a new level of efficiency, our renowned noise cancelling technology is engineered to keep the pulsation inside the blower for generating a sound wall.

This new dual air injection technology keeps the advantage of direct air injection and lowers the noise level.

## THE NEW VTB.VS BLOWER

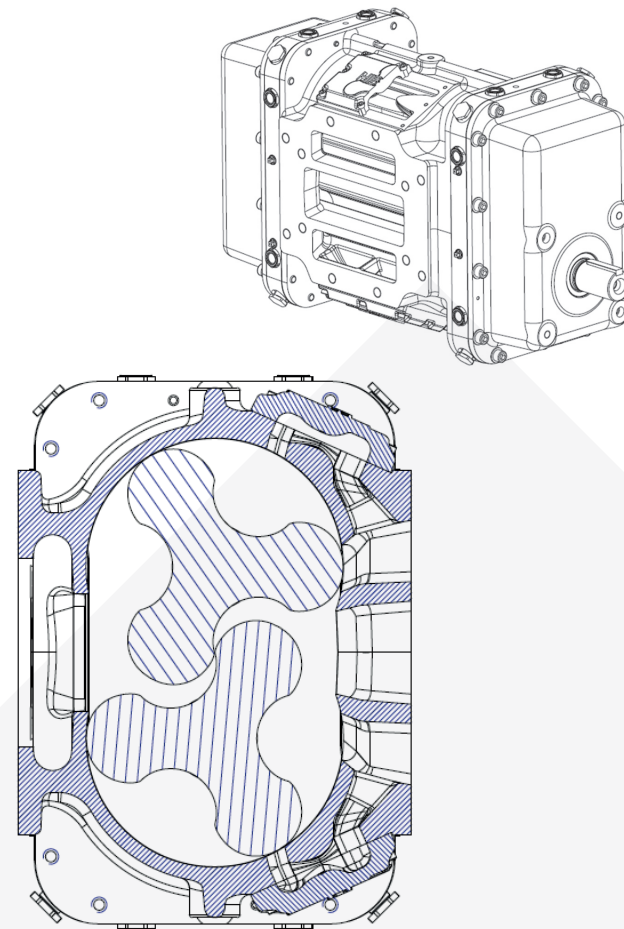
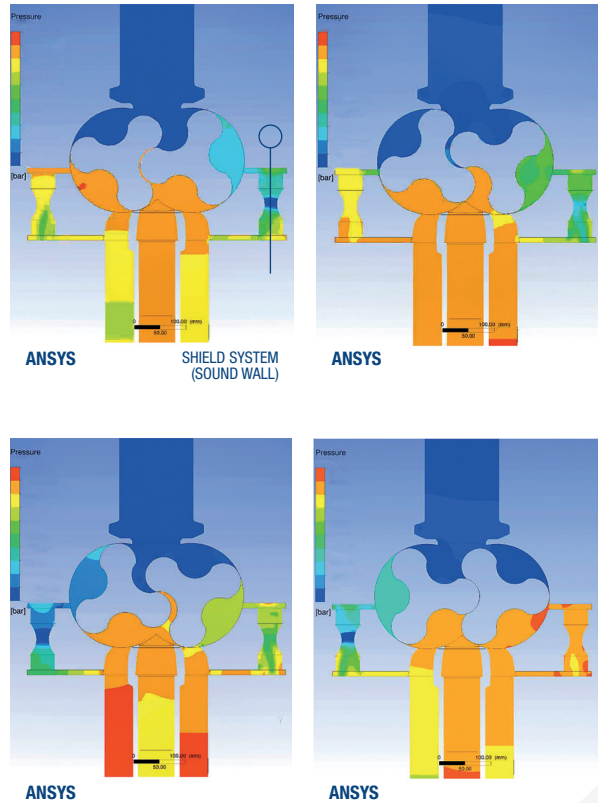
The direct injection of the VTB Series is the most efficient solution to cool the blower and can work even with a closed valve at suction side (Inlet blanked off).

## PRODUCT BENEFITS

- + **QUIETER OPERATION**
- + **EASIER TO INSTALL ON THE TRUCK FRAME**
- + **NO OIL OR WATER COOLING SYSTEM** (100% OIL FREE AIR)
- + **EASIER MAINTENANCE**
- + **RUNS COOLER**
- + **BETTER LUBRICATION OF BEARINGS**
- + **LESS FREQUENT OIL CHANGES**

# PATENTED VENTURI SYSTEM

## FLOW MECHANICS



NEW DUAL AIR INJECTION TECHNOLOGY

## PERFORMANCE

### VTB 820 "VS" VOLUME DISPLACEMENT (2822 m<sup>3</sup>/h)\*

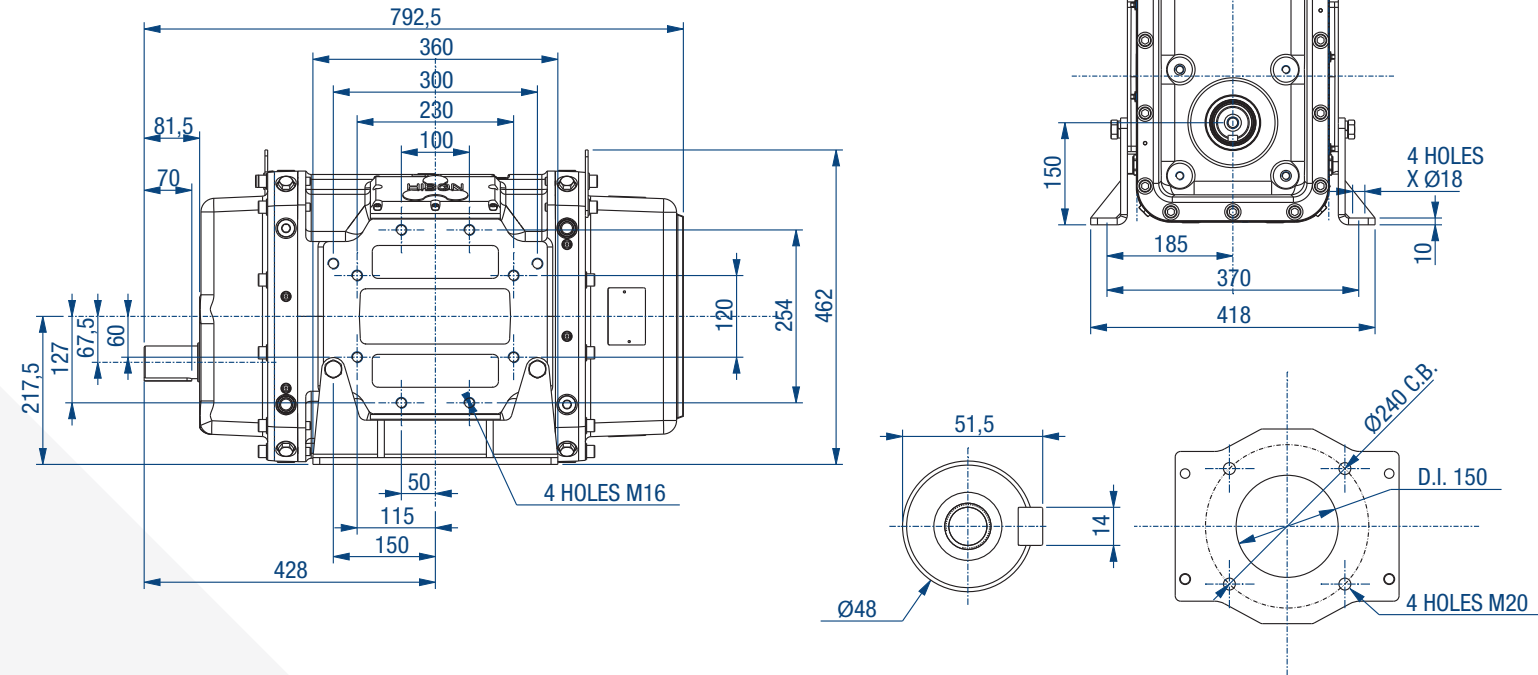
SPEED (TR/MIN)	30% VACUUM		40% VACUUM		50% VACUUM		60% VACUUM		70% VACUUM		80% VACUUM		90% VACUUM	
	m <sup>3</sup> /h	kW	m <sup>3</sup> /h	kW	m <sup>3</sup> /h	kW	m <sup>3</sup> /h	kW	m <sup>3</sup> /h	kW	m <sup>3</sup> /h	kW	m <sup>3</sup> /h	kW
<b>2200</b>	1333	17	1297	21	1237	26	1143	30	1032	34	858	36	258	40
<b>2600</b>	1611	20	1576	25	1520	31	1433	36	1322	40	1160	43	493	47
<b>2800</b>	1750	22	1715	27	1661	33	1577	39	1467	43	1311	47	611	51
<b>3000</b>	1888	23	1854	29	1802	36	1722	41	1613	46	1463	50	729	55
<b>3200</b>	2027	25	1993	31	1943	38	1867	44	1758	50	1614	54	846	59
<b>3400</b>	2166	27	2132	34	2085	41	2012	47	1903	53	1765	58	964	63
<b>3600</b>	2304	29	2272	36	2226	44	2156	50	2048	56	1916	62	1082	67
<b>3800</b>	2443	31	2411	39	2367	46	2301	52	2193	60	2067	65	-	-

\* Volume displacement at maximum speed. Designs, dimensions and specifications can be subject to change without notice or obligation.

# DIMENSIONS (mm)

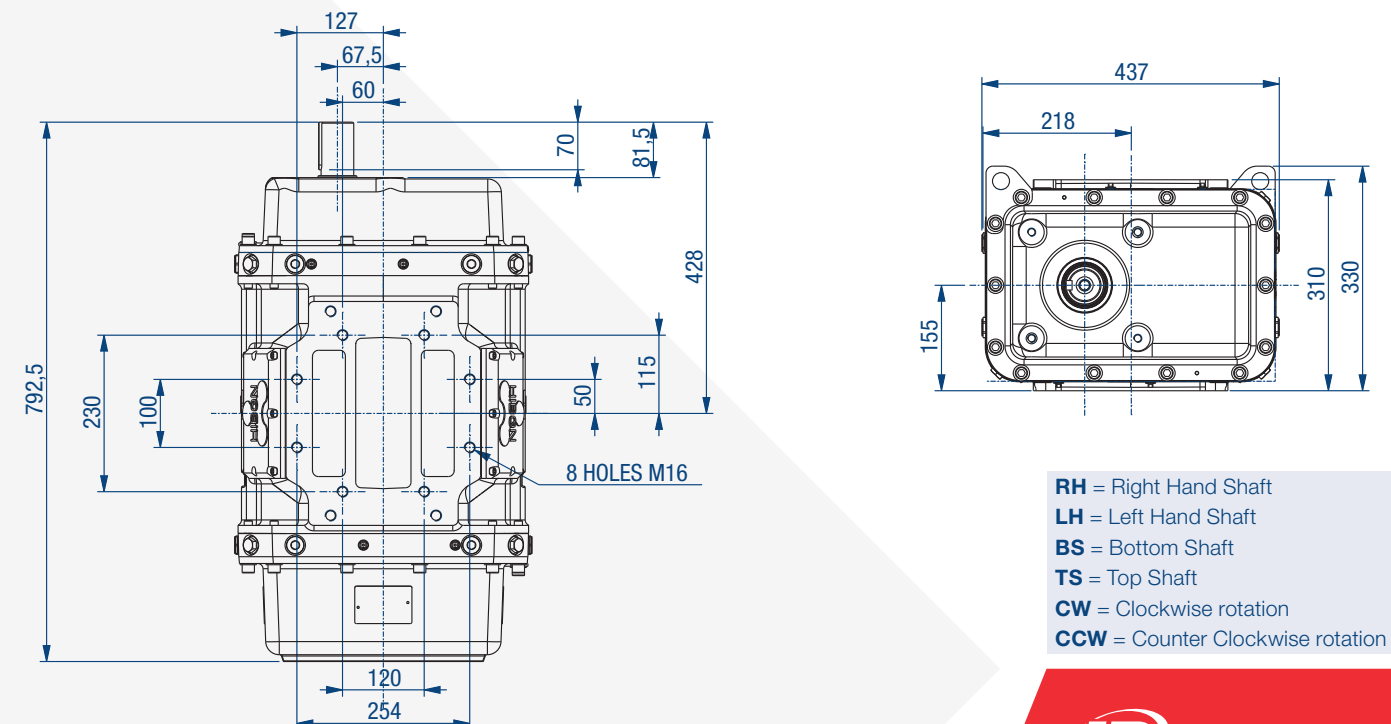
## VTB 820 "VS" Configuration BS CCW

For TS configuration, dimensions are identical except for the height of the shaft. For more size diagrams, please contact the factory or the sales service team.



## VTB 820 "VS" Configuration LH CCW

For RH configuration, dimensions are identical except for the height of the shaft. For more size diagrams, please contact the factory or the sales service team.



- RH** = Right Hand Shaft
- LH** = Left Hand Shaft
- BS** = Bottom Shaft
- TS** = Top Shaft
- CW** = Clockwise rotation
- CCW** = Counter Clockwise rotation



# hibon®

[www.hibon.com](http://www.hibon.com)

**INGERSOLL RAND AIR  
SOLUTIONS HIBON®**

2 avenue Jean-Paul Sartre,  
59290 Wasquehal  
France

**T:** +33 (0)3 20 45 39 39

**E:** [hibon@irco.com](mailto:hibon@irco.com)

**www.ingersollrand.com**  
**www.hibon.com**

**COMPRESSED AIR SYSTEMS  
AND SERVICES HIBON INC**

100 Voyageur  
Pointe Claire Quebec,  
Canada  
H9R 6A8

**T:** +1 514 631-3501

**F:** +1 877 584 0307

**www.hibon.com**

Hibon Library  
Bibliothèque Hibon



Ingersoll Rand Inc. (NYSE:IR), driven by an entrepreneurial spirit and ownership mindset, is dedicated to helping make life better for our employees, customers and communities. Customers lean on us for our technology-driven excellence in mission-critical flow creation and industrial solutions across 40+ respected brands where our products and services excel in the most complex and harsh conditions. Our employees develop customers for life through their daily commitment to expertise, productivity and efficiency. For more information, visit [www.IRCO.com](http://www.IRCO.com).



**IR** Ingersoll Rand®