

## NX8

NX series blowers due to their innovative design offer many advantages to the end user. The NX series blowers can be used as a direct replacement for most SN series blowers allowing a simple upgrade solution while minimizing downtime.

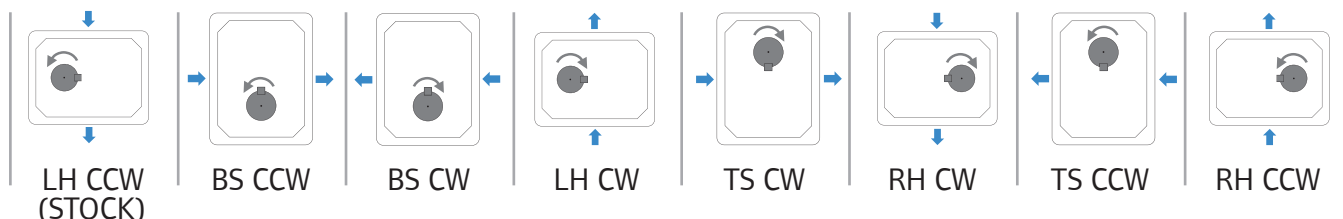
### NX series features

- Three lobe impellers
- Drop-in replacement of the SN series blowers
- Pre-set internal clearances
- Large capacity oil sump
- High flow oil thrower disc
- Set of standardized spare parts

### Benefits

- Reliability and durability
- Ease of maintenance and pre-set clearances for reassembly
- Efficient Design, lower discharge temperatures
- Better bearing lubrication
- Less frequent oil changes

### Configurations



Configuration	With feet option	Without feet
LH CCW	F0151 501 001	F0151 501 00
BS CCW	F0151 001 101	F0151 001 10
BS CW	F0151 001 111	F0151 001 11
LH CW	F0151 501 011	F0151 510 01
TS CW	F0151 001 211	F0151 001 21
RH CW	F0151 501 311	F0151 501 31
TS CCW	F0151 001 201	F0151 001 20
RH CCW	F0151 501 301	F0151 501 30

- ↻ Shaft rotation
- ➔ Air flow
- RH = Right hand shaft
- LH = Left hand shaft
- BS = Bottom shaft
- TS = Top shaft
- CW = Clockwise rotation
- CCW = Counter clockwise rotation

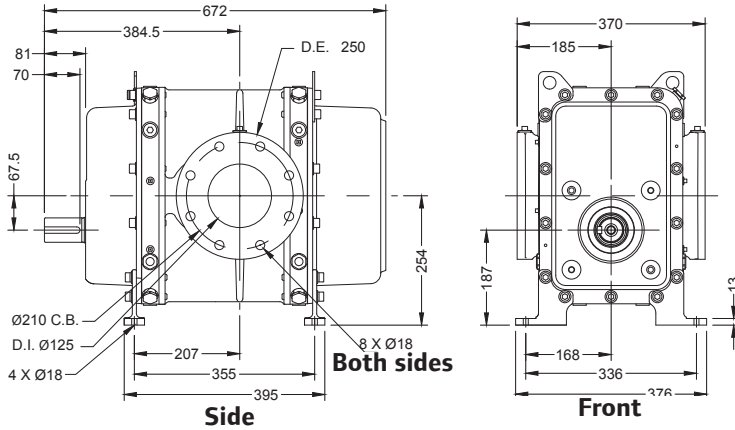
### Performance chart

20 °C / 36%RH / 1013.25 Mbar

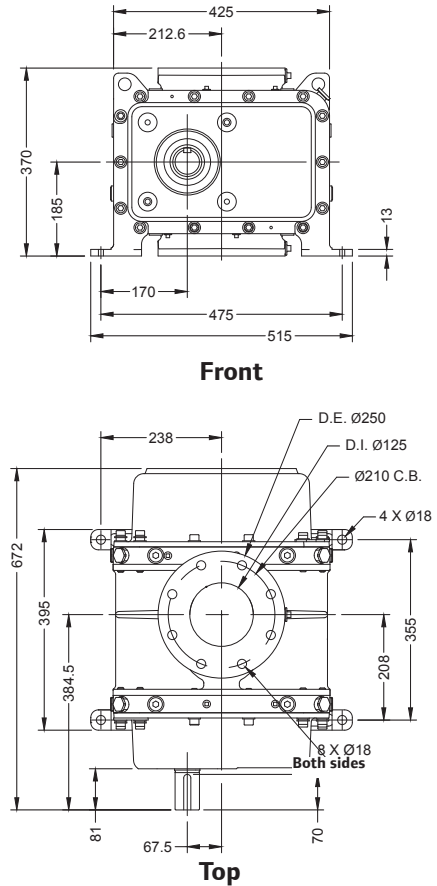
Speed (rpm)	PRESSURE (MB)									
	200		400		600		800		1 000	
	M <sup>3</sup> /h	KW	M <sup>3</sup> /h	KW	M <sup>3</sup> /h	KW	M <sup>3</sup> /h	KW	M <sup>3</sup> /h	KW
1200	443	4,5	378	6,9	328	10,4	286	13,9	249	17,4
1500	593	5,7	528	8,7	478	13,0	435	17,4	398	31,7
1800	743	6,8	677	10,4	627	15,6	585	20,8	547	26,0
2100	893	7,9	827	12,1	777	18,2	734	24,3	697	30,4
2400	1042	9,1	977	13,9	926	20,8	884	27,8	846	34,7
2700	1192	10,2	1126	15,6	1076	23,4	1033	31,2	995	39,0
3000	1342	11,3	1276	17,4	1225	26,0	1182	34,7	1145	43,4
3300	1492	12,5	1426	19,1	1375	28,6	1332	38,2	1294	47,7
3600	1642	13,6	1575	20,8	1524	31,2	1481	41,6	1443	52,1
3900	1791	14,7	1725	22,6	1674	33,8	1631	45,1	1593	56,4

# NX8 Dimensions

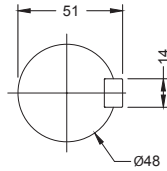
## Vertical gears



## Horizontal gears



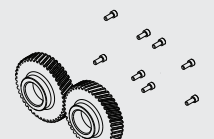




## Shaft details



- Notes:**  
 1. English units (mm) unless otherwise noted.  
 2. Weight : 210 kg  
 3: Do not use for construction

## Spare parts

Kit 1 - STANDARD MAINTENANCE KIT	Kit 2 - SET OF RING HOLDERS	Kit 3 - SET OF GEARS	SIGHT GLASS	HIBON LUBE
<p>Contains all parts required for 40000 h. maintenance.</p> 				

For more information about spares and accessories, contact your nearest Service Center or Ingersoll Rand - HiBON company.

Compressed Air Systems and Services  
 Hibon Inc  
 100 Voyageur Pointe Claire, Quebec  
 Canada, H9R 6A8  
 Tel: +1 514 631-3501  
 Fax: +1 877 584 0307  
 www.hibon.com www.ingersollrand.com

Ingersoll Rand Air Solutions Hibon®  
 2 avenue Jean-Paul Sartre, 59290 WASQUEHAL France  
 Tel +33 (0) 3 20 45 39 45 (ligne directe)  
 Fax +33 (0) 3 20 45 39 20 (Fax Service)  
 email: hibon@irco.com

Ingersoll Rand (NYSE:IR) advances the quality of life by creating comfortable, sustainable and efficient environments. Our people and our family of brands—including Club Car®, Ingersoll Rand®, Thermo King® and Trane®—work together to enhance the quality and comfort of air in homes and buildings; transport and protect food and perishables; and increase industrial productivity and efficiency. We are a \$13 billion global business committed to a world of sustainable progress and enduring results.

ingersollrandproducts.com - hibon.com  
 We are committed to using environmentally conscious print practices

