

NX5

NX series blowers due to their innovative design offer many advantages to the end user. The NX series blowers can be used as a direct replacement for most SN series blowers allowing a simple upgrade solution while minimizing downtime.

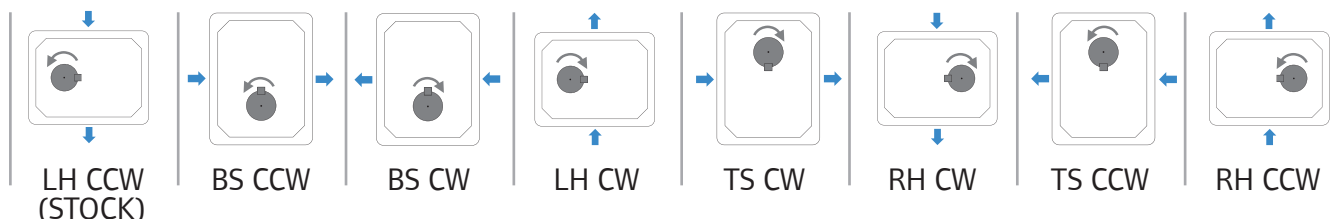
NX series features

- Three lobe impellers
- Drop-in replacement of the SN series blowers
- Pre-set internal clearances
- Large capacity oil sump
- High flow oil thrower disc
- Set of standardized spare parts

Benefits

- Reliability and durability
- Ease of maintenance and pre-set clearances for reassembly
- Efficient Design, lower discharge temperatures
- Better bearing lubrication
- Less frequent oil changes

Configurations



Configuration	With feet option	Without feet
LH CCW	F0141 701 001	F0141 701 00
BS CCW	F0141 701 101	F0141 701 10
BS CW	F0141 701 111	F0141 701 11
LH CW	F0141 701 011	F0141 701 01
TS CW	F0141 701 211	F0141 701 21
RH CW	F0141 701 311	F0141 701 31
TS CCW	F0141 701 201	F0141 701 20
RH CCW	F0141 701 301	F0141 701 30

- ↻ Shaft rotation
- ➔ Air flow
- RH = Right hand shaft
- LH = Left hand shaft
- BS = Bottom shaft
- TS = Top shaft
- CW = Clockwise rotation
- CCW = Counter clockwise rotation

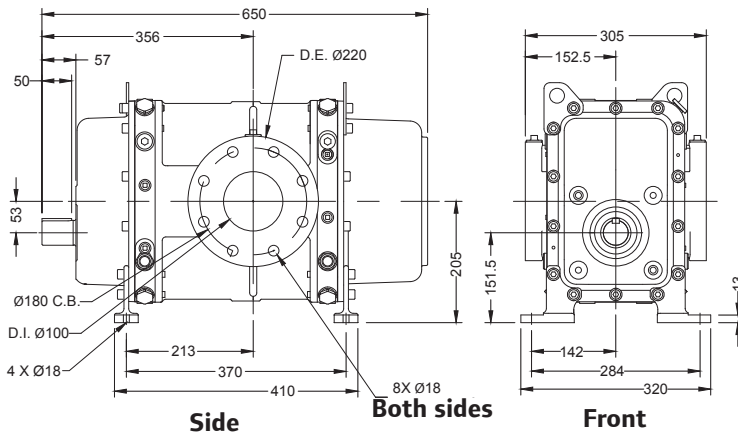
Performance chart

20 °C / 36%RH / 1013.25 Mbar

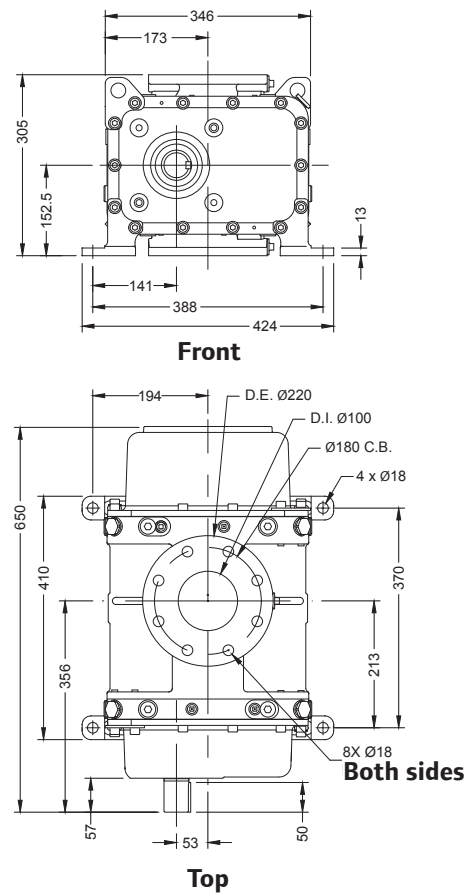
Speed (rpm)	PRESSURE (MB)									
	200		400		600		800		1 000	
	M ³ /h	KW	M ³ /h	KW	M ³ /h	KW	M ³ /h	KW	M ³ /h	KW
1200	277	2,9	229	4,6	192	6,9	161	9,2	133	11,4
1600	400	3,9	348	6,1	309	9,2	276	12,2	247	15,3
2000	523	4,8	468	7,6	427	11,4	391	15,3	360	19,1
2400	646	5,8	588	9,2	544	13,7	507	18,3	474	22,9
2800	769	6,8	708	10,7	661	16,0	622	21,4	587	26,7
3200	892	7,7	828	12,2	779	18,3	737	24,4	701	30,5
3600	1015	8,7	948	13,7	896	20,6	852	27,5	814	34,3
4000	1138	9,7	1067	15,3	1013	22,9	968	30,5	927	38,2
4400	1261	10,6	1187	16,8	1131	25,2	1083	33,6	1041	42,0
4800	1384	11,6	1307	18,3	1248	27,5	1198	36,6	1154	45,8

NX5 Dimensions

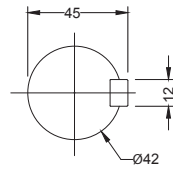
Vertical gears



Horizontal gears



Shaft details



Notes:

1. English units (mm) unless otherwise noted.
2. Weight : 146 kg
3. Do not use for construction

Spare parts

Kit 1 - STANDARD MAINTENANCE KIT	Kit 2 - SET OF RING HOLDERS	Kit 3 - SET OF GEARS	SIGHT GLASS	HIBON LUBE
<p>Contains all parts required for 40000 h. maintenance.</p>				

For more information about spares and accessories, contact your nearest Service Center or Ingersoll Rand - HiBON company.

Compressed Air Systems and Services
 Hibon Inc
 100 Voyageur Pointe Claire, Quebec
 Canada, H9R 6A8
 Tel: +1 514 631-3501
 Fax: +1 877 584 0307
 www.hibon.com www.ingersollrand.com

Ingersoll Rand (NYSE:IR) advances the quality of life by creating comfortable, sustainable and efficient environments. Our people and our family of brands—including Club Car®, Ingersoll Rand®, Thermo King® and Trane®—work together to enhance the quality and comfort of air in homes and buildings; transport and protect food and perishables; and increase industrial productivity and efficiency. We are a \$13 billion global business committed to a world of sustainable progress and enduring results.

ingersollrandproducts.com - hibon.com
 We are committed to using environmentally conscious print practices

Ingersoll Rand Air Solutions Hibon®
 2 avenue Jean-Paul Sartre, 59290 WASQUEHAL France
 Tel +33 (0) 3 20 45 39 45 (ligne directe)
 Fax +33 (0) 3 20 45 39 20 (Fax Service)
 email: hibon@irco.com

