

PROCESS BLOWERS

NX S SERIES

With more than a century experience, Ingersoll Rand Air Solutions HIBON has successfully supplied to the market a world-class range of air blowers and vacuum equipment made to provide air/gas volumes at various both pressures and vacuum level.

Continuous research and development of the HIBON product range has led to the design and manufacture of the Process Bare Shaft Blowers: **NX S Series**.

RANGE

NX 3S and NX 5S	From 300 m³/h to 1 570 m³/h*
NX 8S and NX 12S	From 400 m³/h to 2 822 m³/h*
NX 18S and NX 26S	From 700 m³/h to 4 100 m³/h*

Differential pressure up to 0,8 bar (pressure working).

Inlet Vacuum up to -0,4 bar g (vacuum working).

* Flow rate & pressure / vacuum level depend on suction conditions and process gas flow type (Customer data sheet to submit).

PRODUCT BENEFITS

- + ON THE SHAFT, SINGLE MECHANICAL SEAL **SELF LUBRICATED** BY CRANKCASE OIL.
- + **HIGH MECHANICAL AND VOLUMETRIC EFFICIENCY.**
- + **AUTO-ADJUSTMENTS** OF THE LATERAL CLEARANCE FOR EASY ASSEMBLY.
- + **LIFETIME RELIABILITY.**
- + **100% OIL FREE OPERATION.**
- + BLOWERS **WITHOUT MAINTENANCE UP TO 5 YEARS**
(EXCEPT OIL EVERY TWO YEARS*)
- + **LIFTING LUGS.**

* IF YOU USE HIBON LUBE



MATERIAL OF CONSTRUCTION

- Cast iron and carbon steel
- Other material on demand

MAIN APPLICATIONS

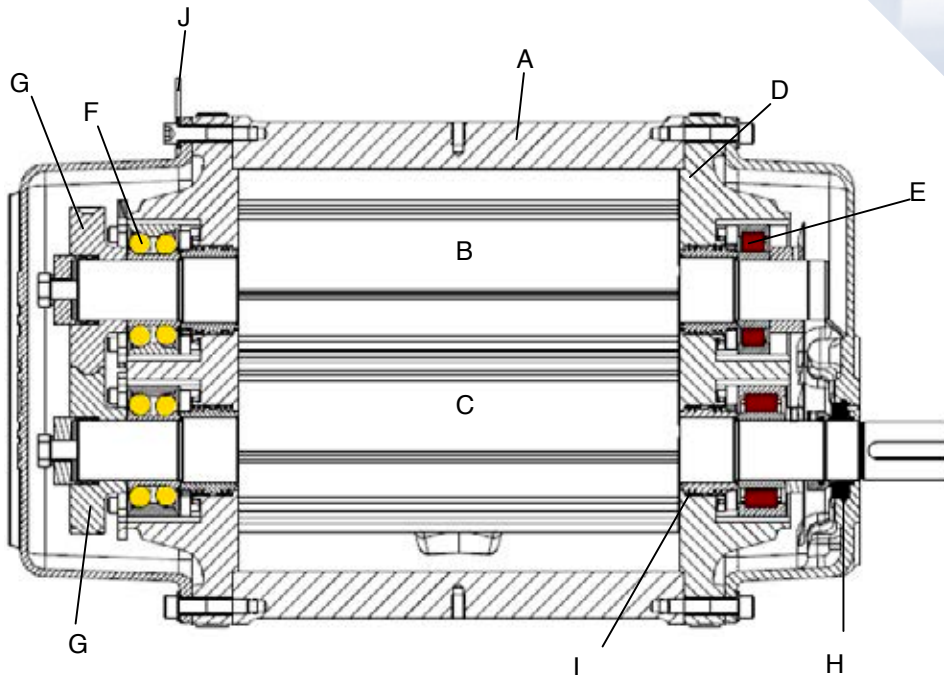
- Pneumatic conveying of polyethylene
- Biogas recovery
- Degassing
- Furnace cooling
- Energy Recovery Process
- Hydrogen injection in gas circuits or for the production of chemicals.
- Hydrogen transfer
- Gas compression on a hydrogenation loop
- Reactivation of a catalyst

OPTIONS

- ATEX available on demand
- Mounting feet

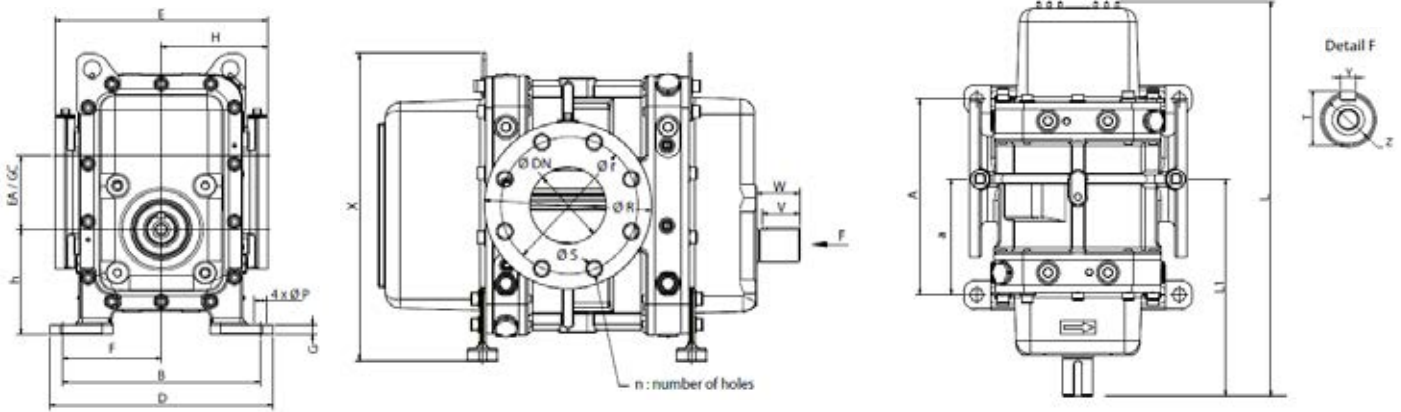
MAIN MARKETS

- Process gas industry (N₂, non-corrosive Biogas, CH₄, mixed H₂)
- Plastic industry
- Energy
- Chemical, petrochemical industries
- Environmental Process (carbon captur)

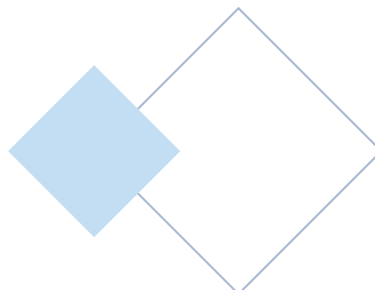


A	Housing	F	Ball bearings
B	Driven Rotor	G	Gears
C	Drive Rotor	H	Single mechanical seal
D	Head Plate	I	Piston ring seals
E	Roller bearings	J	Lifting lugs

TOP AND BOTTOM SHAFT BLOWER DIMENSIONS



	NX 3 S		NX 5 S		NX 8 S		NX 12 S		NX 18 S		NX 26 S	
	mm	inch	mm	inch	mm	inch	mm	inch	mm	inch	mm	inch
A	275	10,83	370	14,57	355	13,98	476	18,74	444	17,48	589	23,19
a	163	6,40	213	8,39	208	8,19	278	10,94	222	8,74	339,5	13,37
B	388	15,28	388	15,28	475	18,70	475	18,70	586	23,07	586	23,07
D	424	16,69	424	16,69	515	20,28	515	20,28	626	24,65	626	24,65
E	305	12,01	305	12,01	370	14,57	370	14,57	450	17,72	450	17,72
EA	106	4,17	106	4,17	135	5,31	135	5,31	173	6,81	173	6,81
F	194	7,64	194	7,64	238	9,37	238	9,37	293	11,54	293	11,54
G	13	0,51	13	0,51	13	0,51	13	0,51	15	0,59	15	0,59
h	153	6,00	153	6,00	185	7,28	185	7,28	225	8,86	225	8,86
L	555	21,85	650	25,59	671	26,42	791	31,14	848	33,39	993	39,09
L1	305	12,01	356	14,02	385	15,16	454	17,87	441	17,36	559	22,01
T	45	1,77	45	1,77	51,5	2,03	51,5	2,03	69	2,72	69	2,72
V	50	1,97	50	1,97	70	2,76	70	2,76	90	3,54	90	3,54
W	57	2,24	58	2,28	81	3,19	80	3,15	102	4,02	102	4,02
Y	12	0,47	12	0,47	14	0,55	14	0,55	18	0,71	18	0,71
ØZ*	42	1,65	42	1,65	48	1,89	48	1,89	65	2,56	65	2,56
ØR	220	8,66	220	8,66	250	9,84	285	11,22	340	13,39	340	13,39
Ør	180	7,09	180	7,09	210	8,27	240	9,45	295	11,61	295	11,61
ØDN	100	3,94	100	3,94	125	4,92	150	5,91	200	7,87	200	7,87
ØP	18	0,71	18	0,71	18	0,71	18	0,71	22	0,87	22	0,87
ØS	18	0,71	18	0,71	18	0,71	22	0,87	22	0,87	22	0,87
n	8		8		8		8		8		8	



INGERSOLL RAND AIR SOLUTIONS HIBON®

2 avenue Jean-Paul Sartre,
59290 WASQUEHAL
France

T : +33 (0)3 20 45 39 39

E : hibon@irco.com

www.ingersollrand.com

www.hibon.com

www.linkedin.com/company/hibon