

Air injection Vacuum Blower VTB822.xl

Hibon Ingersoll Rand presents new state-of-the-art technology in three-lobe, positive displacement blowers. The VTB XL series air-injected, high-vacuum blowers offer a wide range of design features and incorporate energy efficiency improvements, complying with the strictest operational requirements of a variety of applications. These high-vacuum blowers are ideally suited for the rigorous demand of the vacuum truck market. Hibon is a worldwide leader in three-lobe positive displacement blower technology with thousands of units installed around the globe.

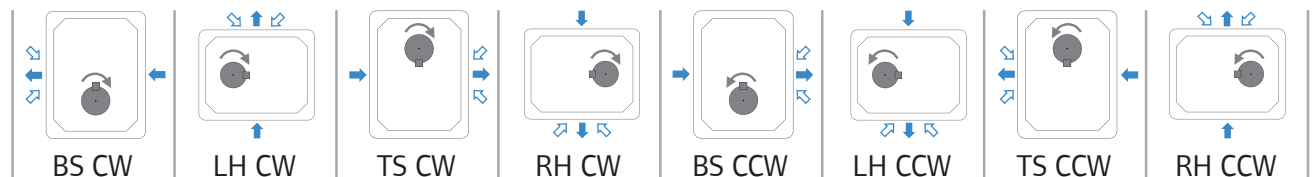
Characteristics

- Three-lobe impeller construction
 - Unique air injection system
 - Increased efficiency
 - Clearances adjusted automatically during assembly
 - Larger oil capacity
 - High volume oil thrower
 - High performance sealing arrangement using 4 piston rings
 - For Europe only, available in ATEX on request
- ⊠ II 2/2 G/D c, II BT3, 160° C X

Benefits

- Quieter operation than two-lobe impeller construction
- Allows high vacuum including "dead end" operation without overheating
- No oil or water cooling system (100% oil free air)
- Requires less horsepower for the same performance
- Easier maintenance
- Runs cooler
- Better lubrication of bearings
- Less frequent oil changes

Configurations



Better by design

Configuration	With feet option	Without feet option
BS CW	F0165701111	F016570111
LH CW	.	F016570101
TS CW	F0165701211	F016570121
RH CW	.	F016570131
BS CCW	F0165701101	F016570110
LH CCW	.	F016570100
TS CCW	F0165701201	F016570120
RH CCW	.	F016570130

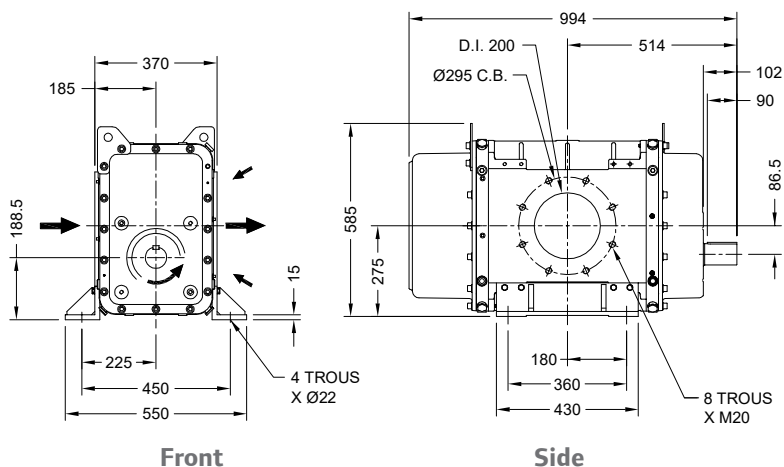
- ↻ Shaft rotation
- ➡ Air flow
- ⇄ Air injection
- RH = Right hand shaft
- LH = Left hand shaft
- BS = Bottom shaft
- TS = Top shaft
- CW = Clockwise rotation
- CCW = Counter clockwise rotation

Performance chart

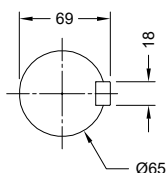
VOLUME DISPLACEMENT (5250 m ³ /h)*														
Speed (tr/min)	30% Vacuum		40% Vacuum		50% Vacuum		60% Vacuum		70% Vacuum		80% Vacuum		90% Vacuum	
	m ³ /h	kW	m ³ /h	kW	m ³ /h	kW	m ³ /h	kW	m ³ /h	kW	m ³ /h	kW	m ³ /h	kW
1600	2109	22	2002	29	1930	36	1784	43	1541	50	1175	57	768	64
1800	2423	25	2316	32	2235	40	2091	48	1852	56	1455	64	988	72
2000	2736	28	2630	36	2541	45	2398	54	2163	63	1735	71	1208	80
2200	3050	31	2944	39	2847	49	2706	59	2474	69	2015	79	1428	88
2400	3363	34	3259	43	3152	54	3013	64	2785	75	2295	86	1648	96
2600	3677	36	3573	46	3458	58	3320	70	3095	81	2575	93	1868	105
2800	3990	39	3887	50	3764	63	3628	75	3406	88	2855	100	2088	112
3000	4304	42	4201	54	4070	67	3935	80	3717	94	3135	107	2308	120
3400	4876	56	4757	66	4621	77	4417	92						

* Volume displacement at maximum speed.

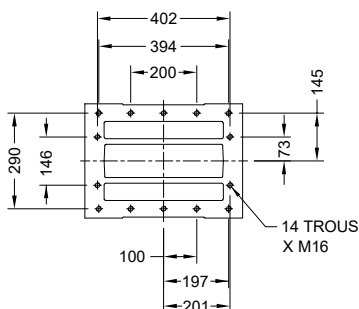
VTB 822.XL Dimensions BS CCW Configuration Vertical gears



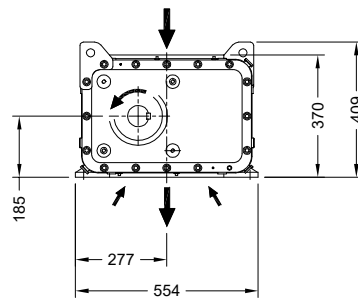
Shaft details



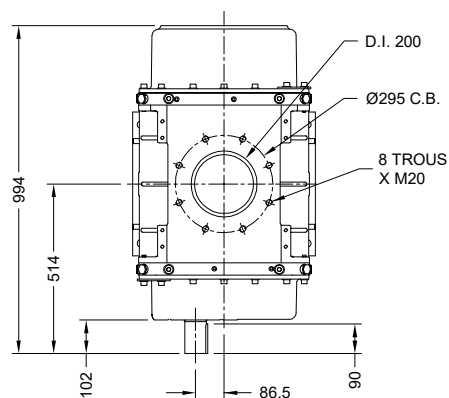
Discharge Flange



LH CCW Configuration Horizontal gears



Front



Top

Notes:

1. English units (mm)
2. Weight: 508 Kg
3. Other configurations also available on request.
4. Do not use for construction
5. TROUS = HOLES

Spare parts and accessories

Kit 1 - STANDARD MAINTENANCE KIT	Kit 2 - SET OF RING HOLDERS	Kit 3 - SET OF GEARS	MANIFOLD AND DISCHARGE/INJECTION MANIFOLD GASKETS	HIBON LUBE 2 liters or 5 liters
Contains all parts required for 40 000 h. maintenance				

For more information about spares and accessories, contact your nearest Service Center or Ingersoll Rand - HIBON company.

Compressed Air Systems and Services
Hibon Inc
100 Voyageur Pointe Claire, Quebec
Canada, H9R 6A8
Tel: +1 514 631-3501
Fax: +1 877 584 0307
www.hibon.com www.ingersollrand.com

Ingersoll Rand (NYSE:IR) advances the quality of life by creating comfortable, sustainable and efficient environments. Our people and our family of brands—including Club Car®, Ingersoll Rand®, Thermo King® and Trane®—work together to enhance the quality and comfort of air in homes and buildings; transport and protect food and perishables; and increase industrial productivity and efficiency. We are a \$13 billion global business committed to a world of sustainable progress and enduring results.

ingersollrandproducts.com
We are committed to using environmentally conscious print practices

Ingersoll Rand Air Solutions Hibon®
2 avenue Jean-Paul Sartre, 59290 WASQUEHAL France
Tel: +33 (0)3 20 45 39 39
Fax: +33 (0)3 20 45 39 20 (Fax Service)
www.hibon.com www.ingersollrand.com
email : hibon@irco.com



©2017 Ingersoll-Rand Company