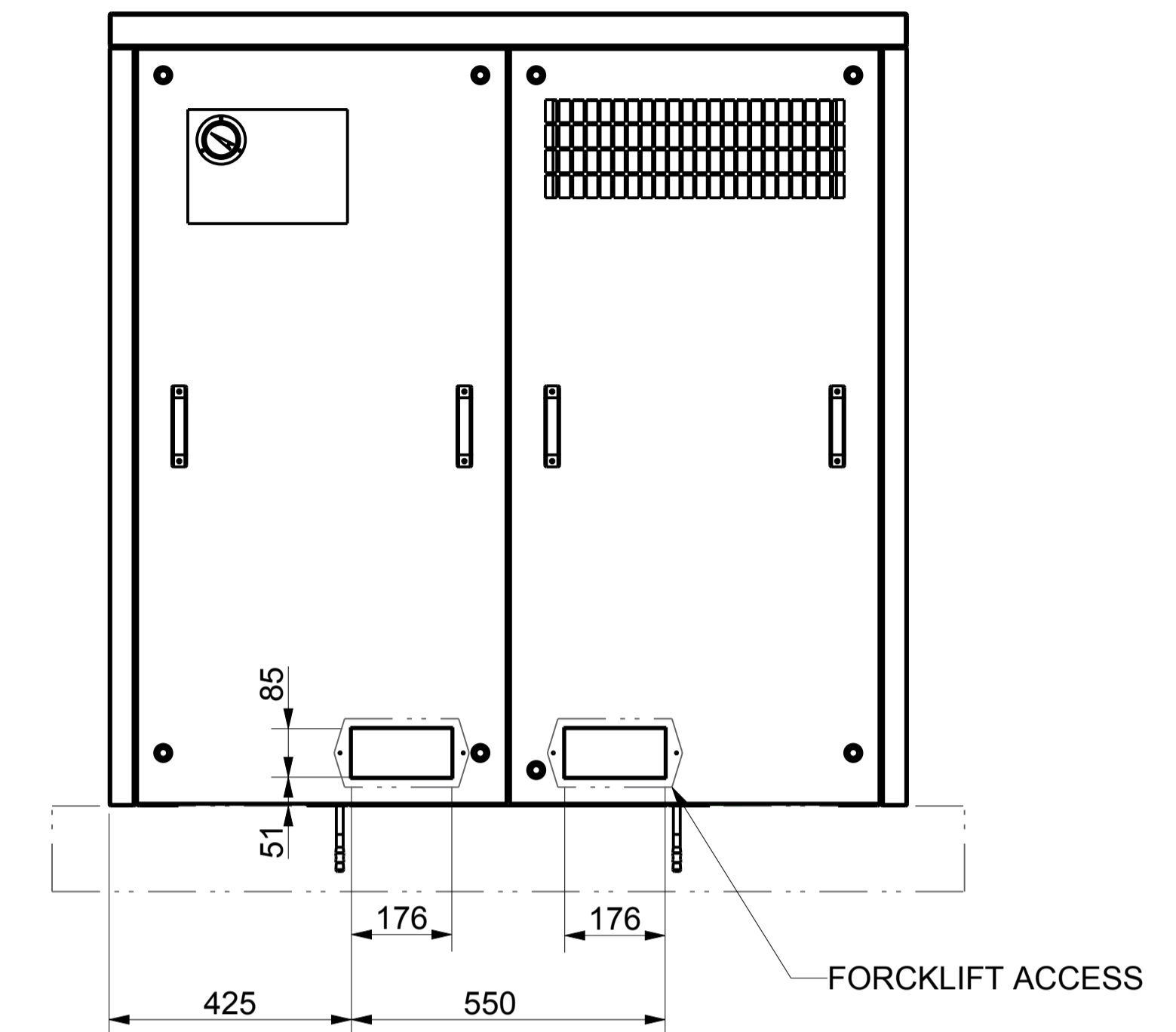
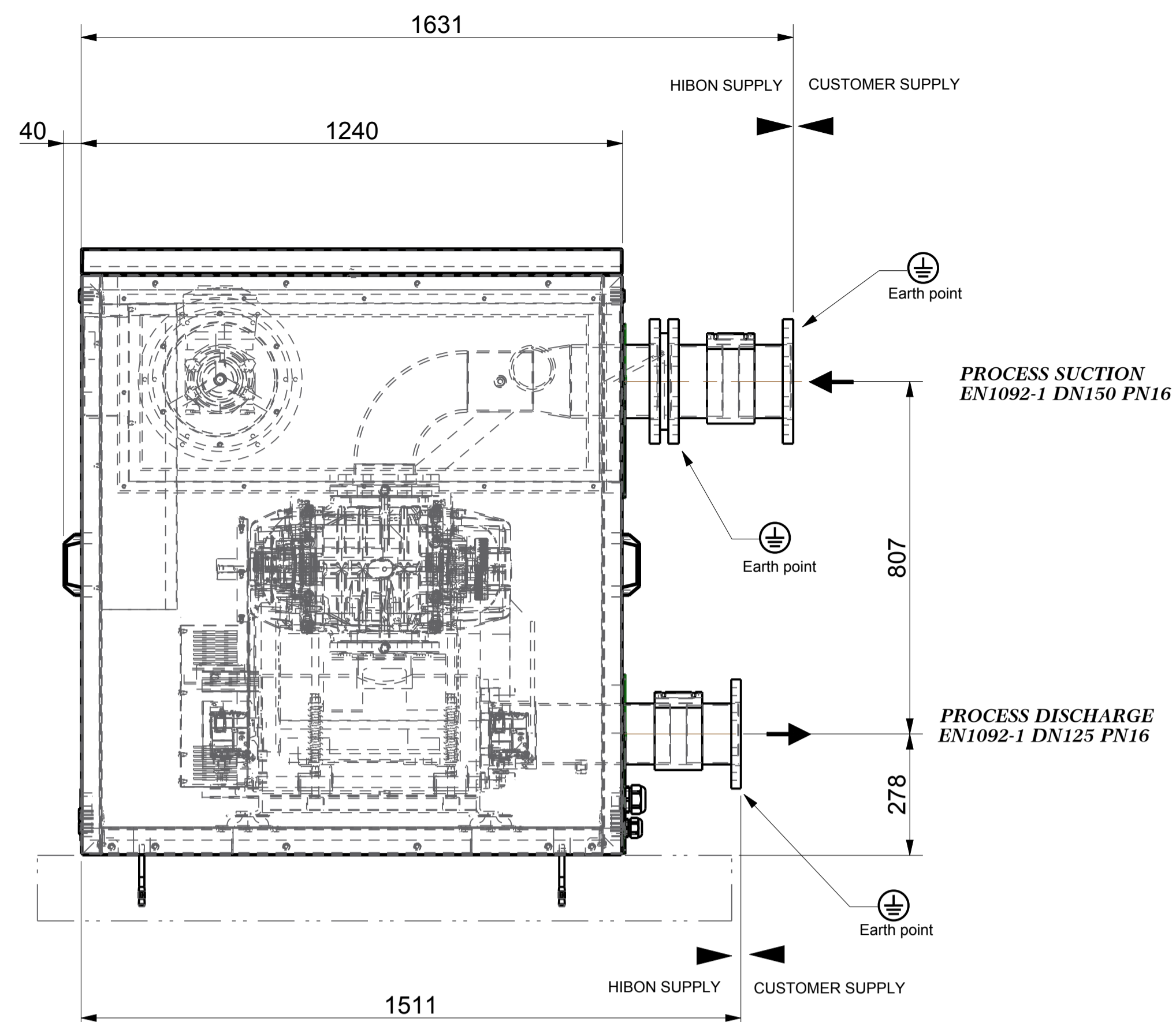
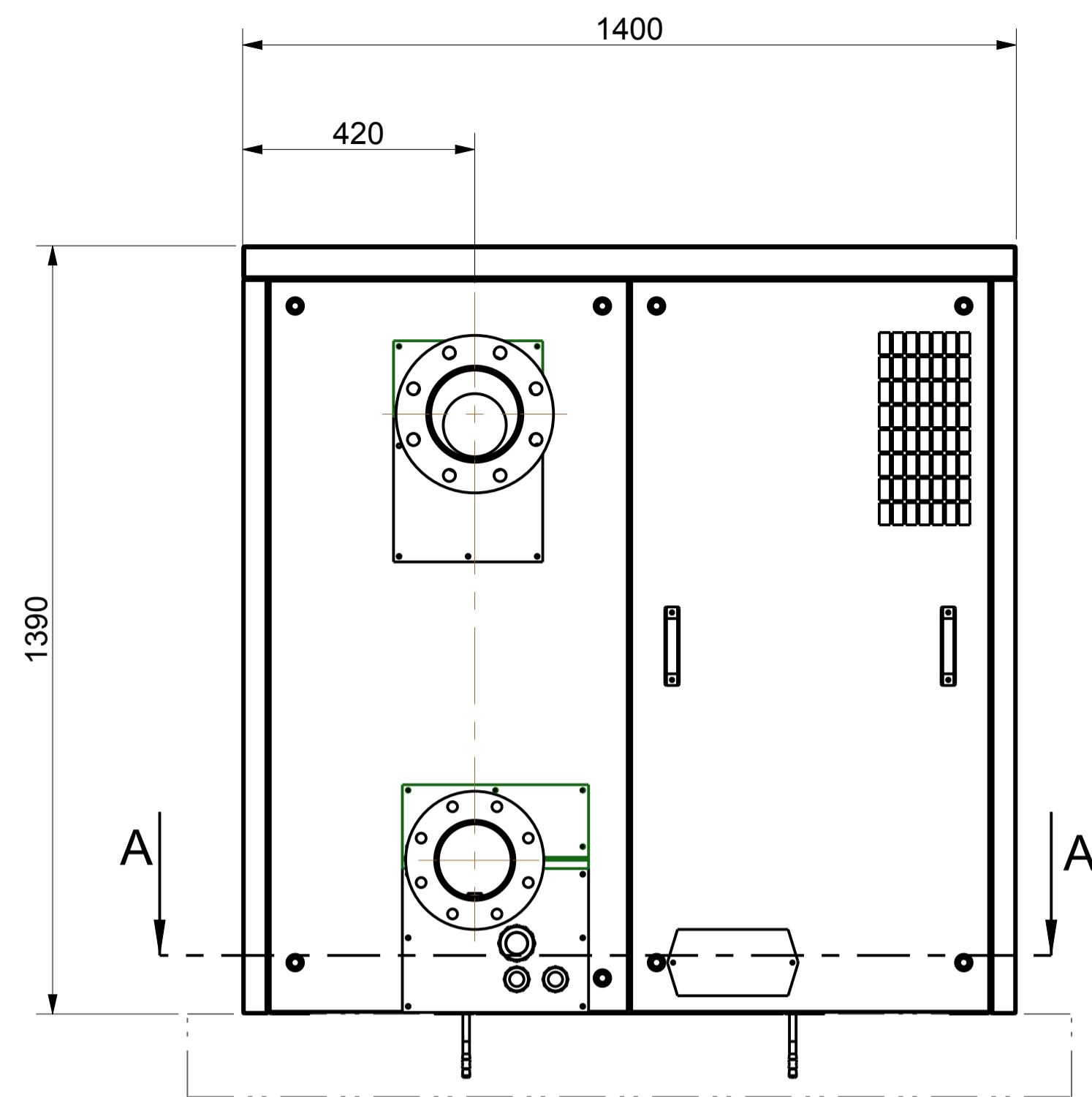
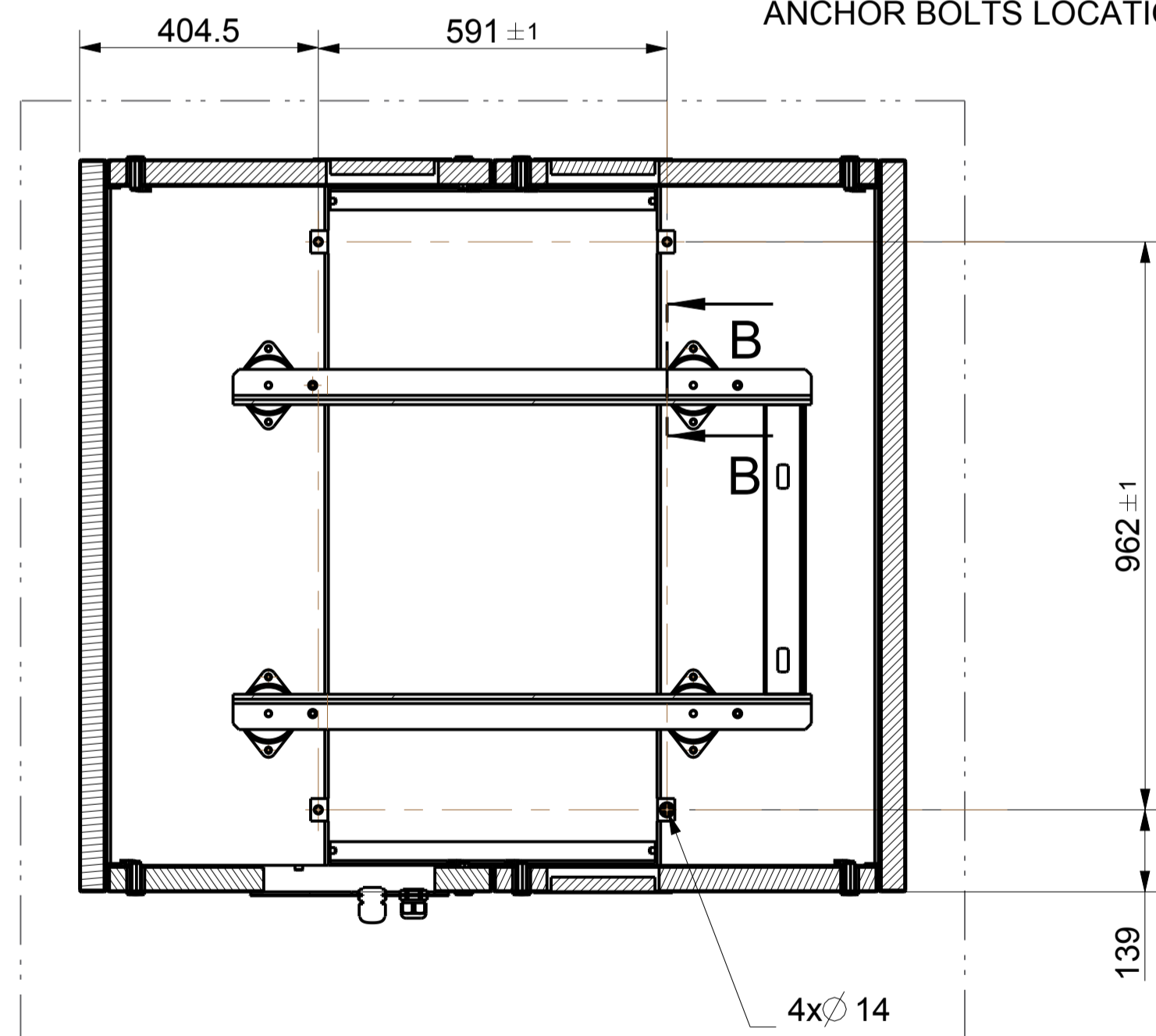


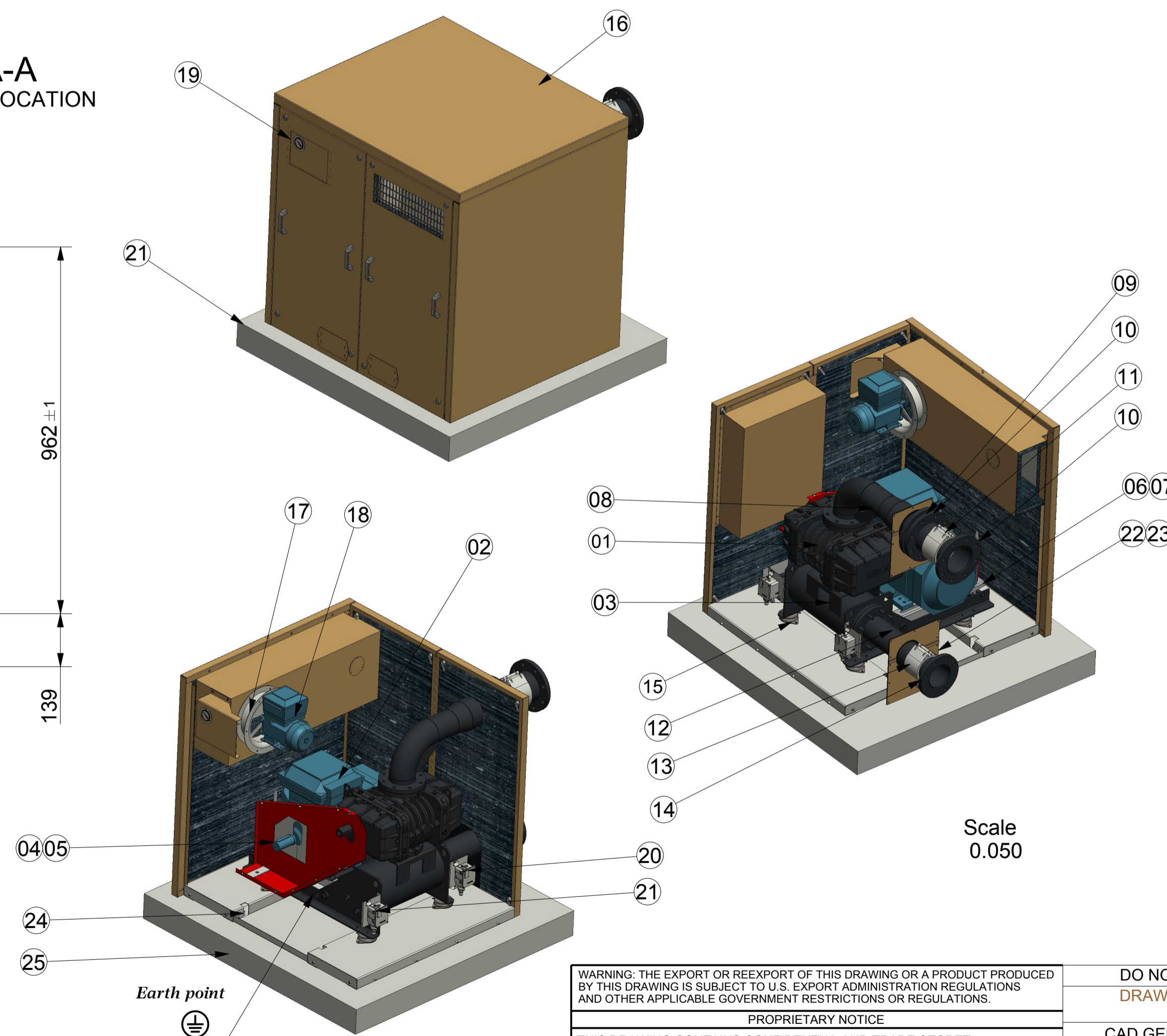
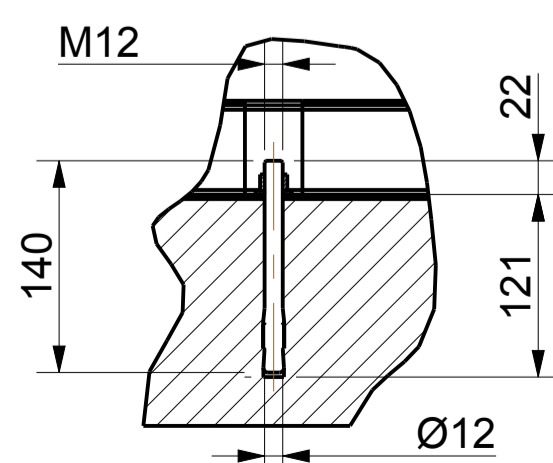
REVISIONS					
ZONE	REV	ECN	DESCRIPTION	DATE	APPD
	A		ORIGINAL RELEASE	19OCT2017	A.GUERINAT T. GHOLAMI
	B		Modified discharge ND125 TO ND150 & Added flanges	24OCT2017	A.GUERINAT T. GHOLAMI



SECTION A-A
ANCHOR BOLTS LOCATION



Section B-B B-B
Scale 0.200
Anchor bolts detail



- TOTAL WEIGHT : 1100KG ±10%
- DYNAMIC COEFFICIENT : 1,3
- GENERAL TOLERANCE : ±5mm

WARNING: THE EXPORT OR REEXPORT OF THIS DRAWING OR A PRODUCT PRODUCED BY THIS DRAWING IS SUBJECT TO U.S. EXPORT ADMINISTRATION REGULATIONS AND OTHER APPLICABLE GOVERNMENT RESTRICTIONS OR REGULATIONS.

PROPRIETARY NOTICE
THIS DRAWING CONTAINS CONFIDENTIAL AND TRADE SECRET INFORMATION, IS THE PROPERTY OF INGERSOLL-RAND CO., AND IS GIVEN TO THE RECEIVER IN CONFIDENCE. THE RECEIVER BY RECEPTION AND RETENTION OF THE DRAWING ACCEPTS THE DRAWING IN CONFIDENCE AND AGREES THAT, EXCEPT AS AUTHORIZED IN WRITING BY INGERSOLL-RAND CO., IT WILL (1) NOT USE THE DRAWING OR ANY COPY THEREOF OR THE CONFIDENTIAL OR TRADE SECRET INFORMATION THEREIN; (2) NOT COPY THE DRAWING; (3) NOT DISCLOSE TO OTHERS EITHER THE DRAWING OR THE CONFIDENTIAL OR TRADE SECRET INFORMATION THEREIN; AND (4) UPON COMPLETION OF THE NEED TO RETAIN THE DRAWING, OR UPON DEMAND, RETURN THE DRAWING, ALL COPIES THEREOF, AND ALL MATERIAL COPIED THEREFROM.

DO NOT SCALE DRAWING
DRAWING CONFORMS TO ISO 1101
CAD GENERATED DRAWING, NO MANUAL REVISIONS ALLOWED
UNLESS OTHERWISE SPECIFIED:
- REMOVE ALL BURRS AND SHARP CORNERS
- WELD SYMBOLS TO BE IN ACCORDANCE WITH NFE 52-109 1-2
COPYRIGHT © 2011 Ingersoll Rand
ALL RIGHTS RESERVED

FIRST ANGLE PROJECTION	
DRAWN	DATE
A.GUERINAT	19OCT2017
CHECKED	DATE
T. GHOLAMI	19OCT2017
APPROVED	DATE
T. GHOLAMI	19OCT2017
NOMENCLATURE	

Rep.	Designation	Qty
1	BLOWER NX8 ND125 NP10	1
2	2EC - ELECTRICAL MOTOR 30KW 3000T 400/690V/3/50HZ -II 2G Exde IICT4 Gb	1
3	BASE FRAME SFI	1
4	V-BELT DRIVE	1
5	TRANSMISSION SAFETY GUARD	1
6	MOTOR ARM SUPPORT SFI	2
7	TENSIONING BELT SYSTEM	2
8	SUCTION PIPE ND125 NP10 to ND150 PN10	1
09	NON RETURN VALVE ND150 NP10	1
10	SUCTION CONNECTING PIPE Ø168,3 FLANGE ND150 NP16	2
11	SUCTION STRAUB PIPE COUPLING ND150 Ø168,3	1
12	DISCHARGE PIPE ND125 NP10 - Ø139,7	1
13	DISCHARGE STRAUB PIPE COUPLING ND125 Ø139,7	1
14	DISCHARGE CONNECTING PIPE Ø139,7 FLANGE ND125 NP16	
15	ANTI VIBRATION PADS APK 100	4
16	ACOUSTIC ENCLOSURE SF 1	1
17	VENTILATION FAN TYPE DP315	1
18	2EC - ELECTRICAL MOTOR FAN 1,1KW 3000RPM 230/400V/3/50HZ -II 2G Exde IICT4 Gb	1
19	SUCTION PRESSURE GAUGE - Ø63	1
20	SUCTION PRESSURE SWITCH	1
21	DISCHARGE TEMPERATURE SWITCH	1
22	CABLE GLAND - PG42 - Standard HIBON	1
23	CABLE GLAND - PG29 - Standard HIBON	2
24	ANCHOR BOLT M12x140	4
25	CUSTOMER CONCRETE	.

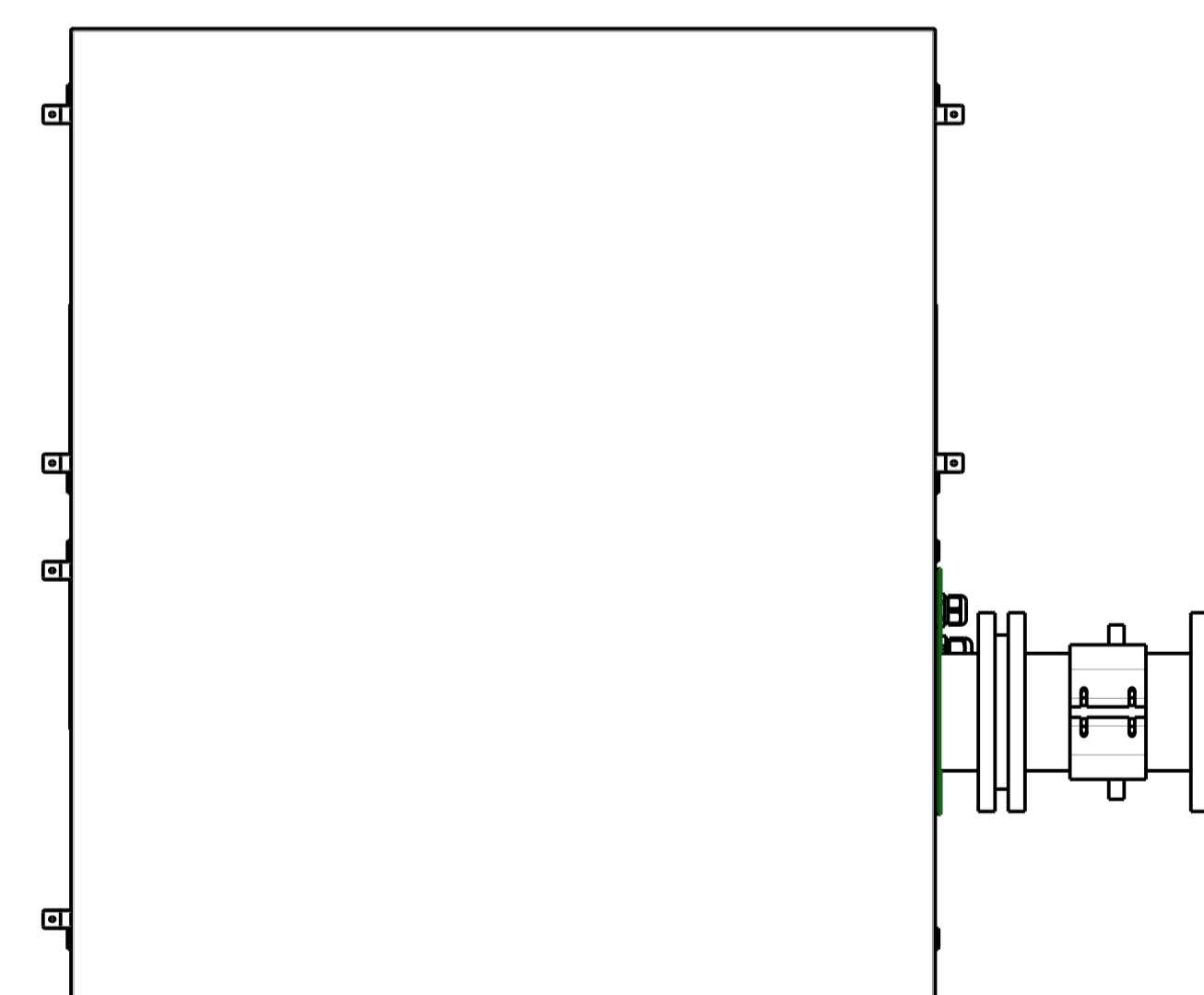
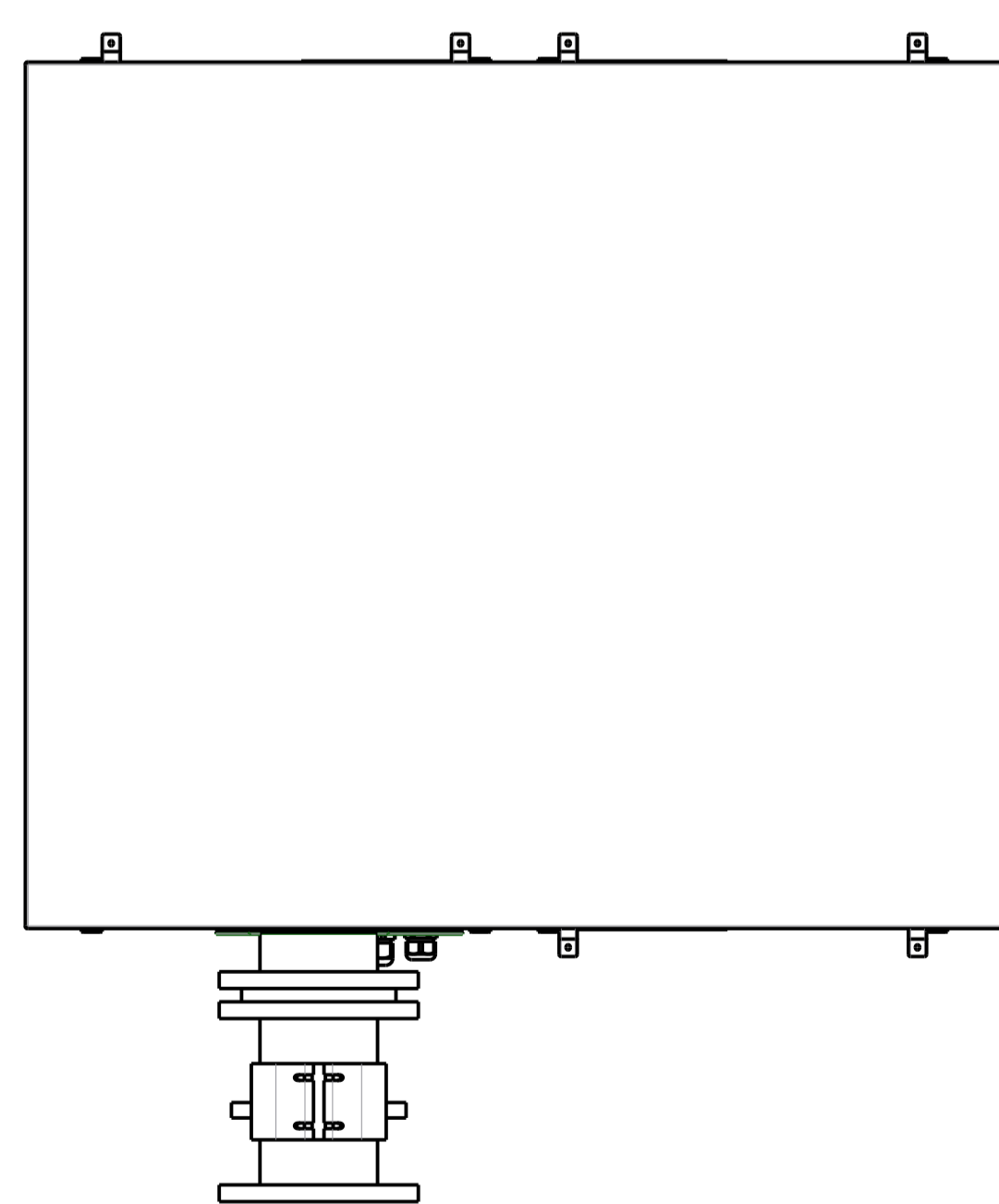
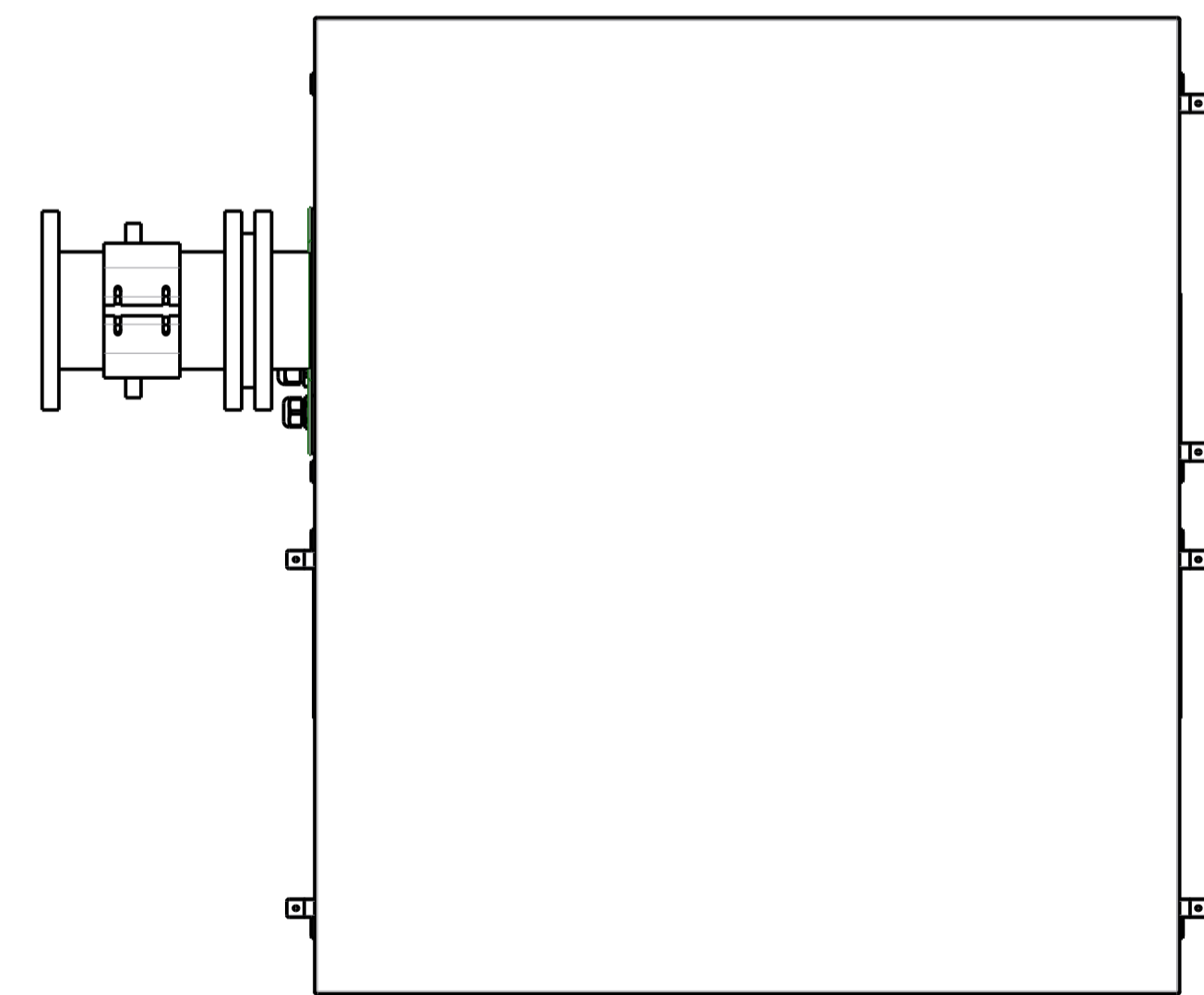
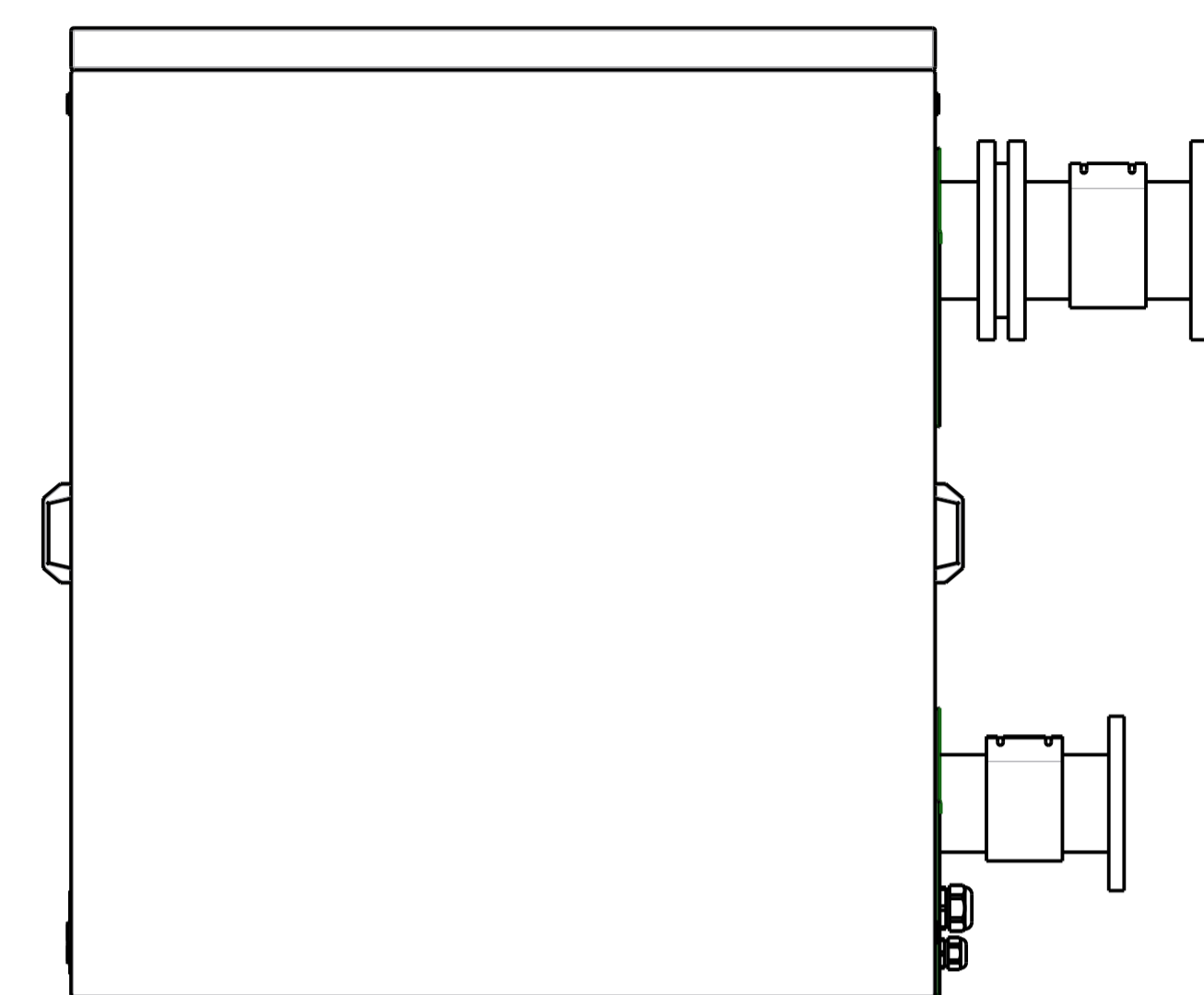
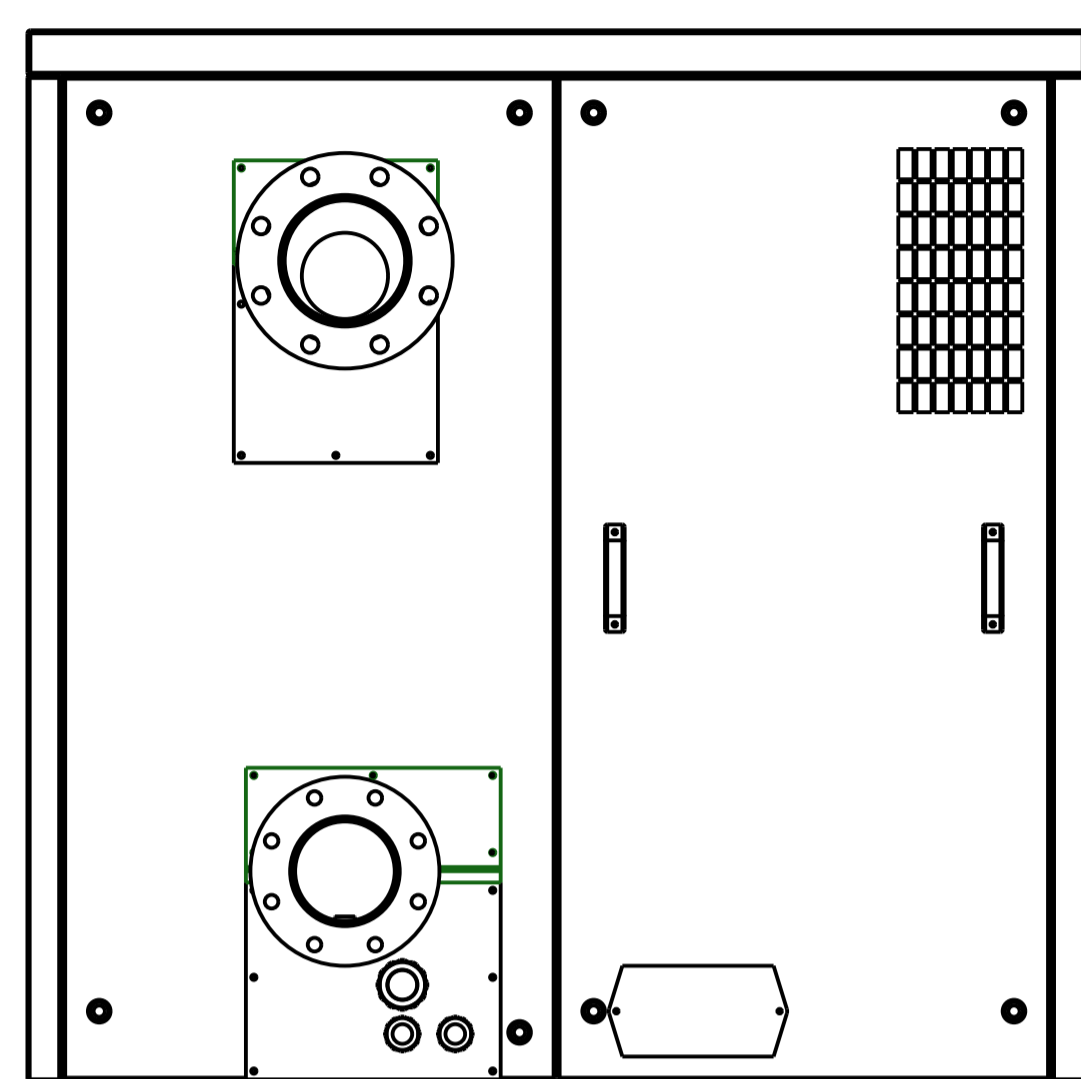
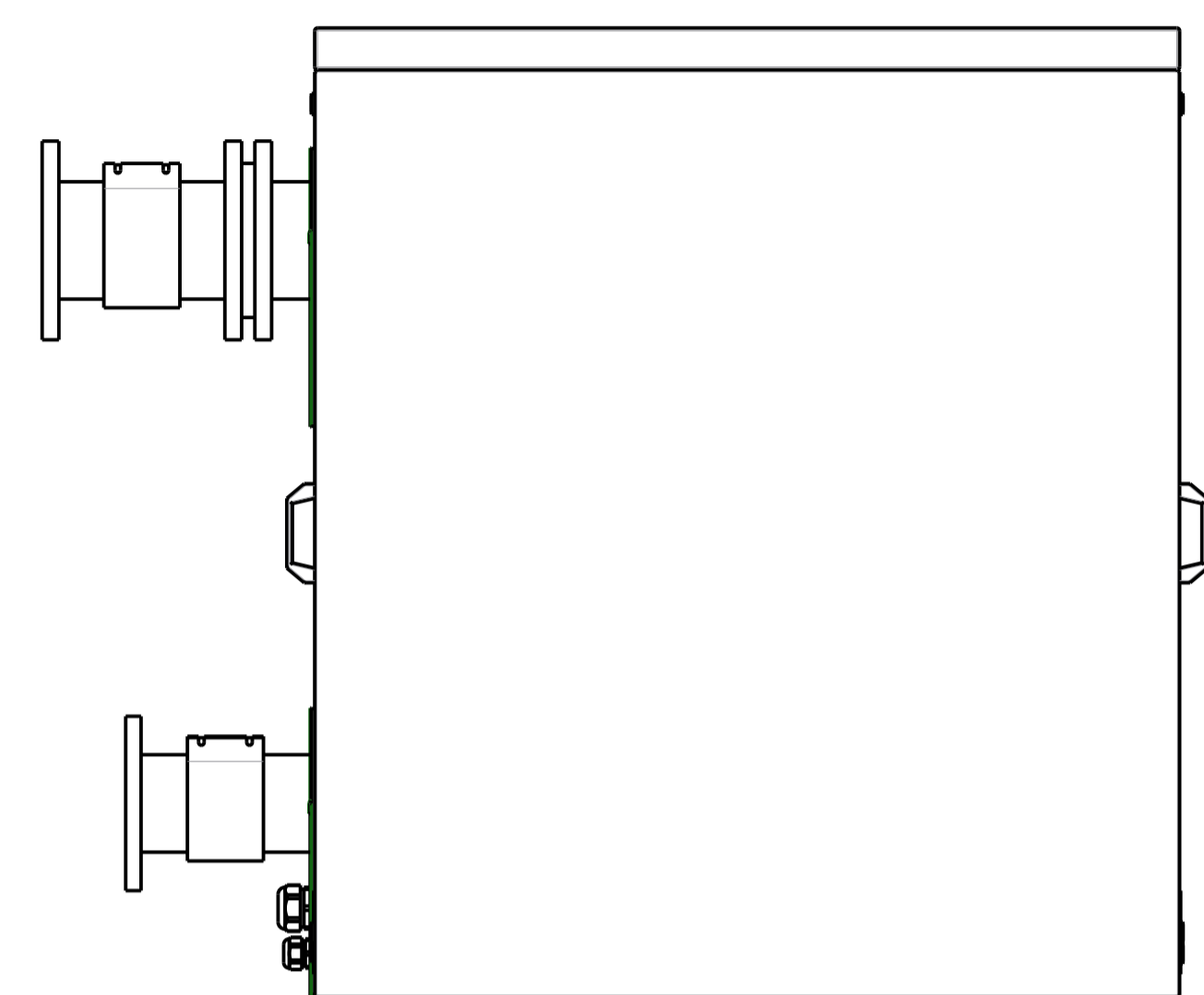
hibon **IR Ingersoll Rand**

TITLE: **GRUPE B-SF1-8 CC**
ATEX : Ex II 3 G, T3 (160°C)


SIZE: **A1** ESTIMATED WEIGHT: **BFS 015** DWG NO.: **B**
SCALE: 0.10 UNIT: SHEET 1 OF 2

8 7 6 5 4 3 2 1

D
C
B
A



Civil engineering views

<small>PROPRIETARY NOTICE</small> <small>THIS DRAWING CONTAINS CONFIDENTIAL AND TRADE SECRET INFORMATION. IS THE PROPERTY OF INGERSOLL-RAND CO. AND IS GIVEN TO THE RECEIVER IN CONFIDENCE. THE RECEIVER BY RECEIPT AND RETENTION OF THE DRAWING ACCEPTS THE DRAWING IN CONFIDENCE AND AGREES THAT, EXCEPT AS AUTHORIZED IN WRITING BY INGERSOLL-RAND CO., IT WILL (1) NOT USE THE DRAWING OR ANY COPY THEREOF OR THE CONFIDENTIAL OR TRADE SECRET INFORMATION THEREIN, (2) NOT COPY THE DRAWING, (3) NOT DISCLOSE TO OTHERS EITHER THE DRAWING OR THE CONFIDENTIAL OR TRADE SECRET INFORMATION THEREIN, AND (4) UPON COMPLETION OF THE NEED TO RETAIN THE DRAWING, OR UPON DEMAND, RETURN THE DRAWING, ALL COPIES THEREOF, AND ALL MATERIAL COPIED THEREFROM.</small>		<small>TITLE</small> GRUPE B-SF1-8 CC ATEX : Ex II 3 G, T3 (160°C)	
<small>SIZE</small> A1	<small>DWG NO.</small> BFS 015	<small>REV</small> B	
<small>SCALE:</small> 0,10		<small>SHEET</small> 2 OF 2	

8 7 6 5 4 3 2 1