

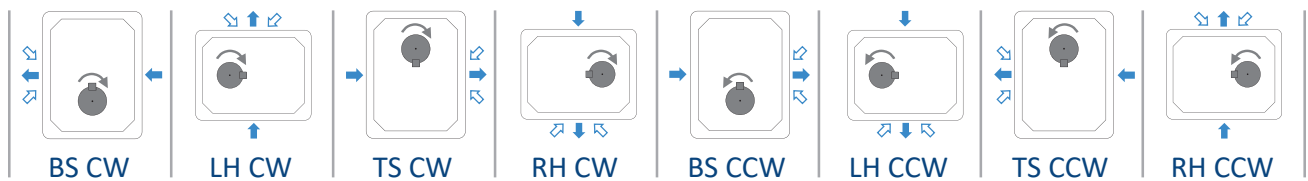
## New 96% Vacuum Air Injection Blower range with the Patented Venturi System providing up to 10 dBa sound reduction without compromising reliability and performance.

Hibon Ingersoll Rand introduces the new 100% oil free **Three-Lobe Positive Displacement VS Series** Blower with patented sound reduction technology along with its incomparable brand **reliability** for the rigorous demands of the **vacuum truck industry** and **industrial** applications. The **VS Series** is engineered to silence the pulsations inside the blower generating a sound wall.

This **new patented technology** includes a **Venturi** for a secondary air injection path into the air chamber while maintaining its advantage of direct air injection to stabilize heat rise.

The result translates **Hibon VS Series** into the **Quietest Blower available**.

### Configurations



### Better by design

## VTB822.VS

Configuration	With feet option	Without feet
BS CW	F0168901111M	F016890111M
LH CW	•	F016890101M
TS CW	F0168901211M	F016890121M
RH CW	•	F016890131M
BS CCW	F0168901101M	F016890110M
LH CCW	•	F016890100M
TS CCW	F0168901201M	F016890120M
RH CCW	•	F016890130M

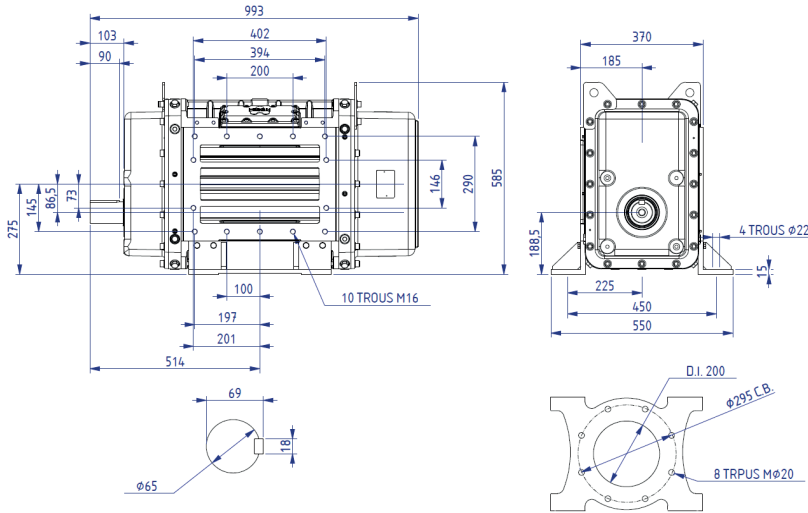
- Shaft rotation
- Air flow
- Air injection
- RH = Right hand shaft
- LH = Left hand shaft
- BS = Bottom shaft
- TS = Top shaft
- CW = Clockwise rotation
- CCW = Counter clockwise rotation

### Performance chart

VOLUME DISPLACEMENT (5250 m³/h)*														
Speed (tr/min)	30% Vacuum		40% Vacuum		50% Vacuum		60% Vacuum		70% Vacuum		80% Vacuum		90% Vacuum	
	m³/h	kW	m³/h	kW	m³/h	kW	m³/h	kW	m³/h	kW	m³/h	kW	m³/h	kW
1600	2109	22	2002	29	1930	36	1784	43	1541	50	1175	57	768	64
1800	2423	25	2316	32	2235	40	2091	48	1852	56	1455	64	988	72
2000	2736	28	2630	36	2541	45	2398	54	2163	63	1735	71	1208	80
2200	3050	31	2944	39	2847	49	2706	59	2474	69	2015	79	1428	88
2400	3363	34	3259	43	3152	54	3013	64	2785	75	2295	86	1648	96
2600	3677	36	3573	46	3458	58	3320	70	3095	81	2575	93	1868	105
2800	3990	39	3887	50	3764	63	3628	75	3406	88	2855	100	2088	112
3000	4304	42	4201	54	4070	67	3935	80	3717	94	3135	107	2308	120
3400	4876	56	4757	66	4621	77	4417	92						

\* Volume displacement at maximum speed.

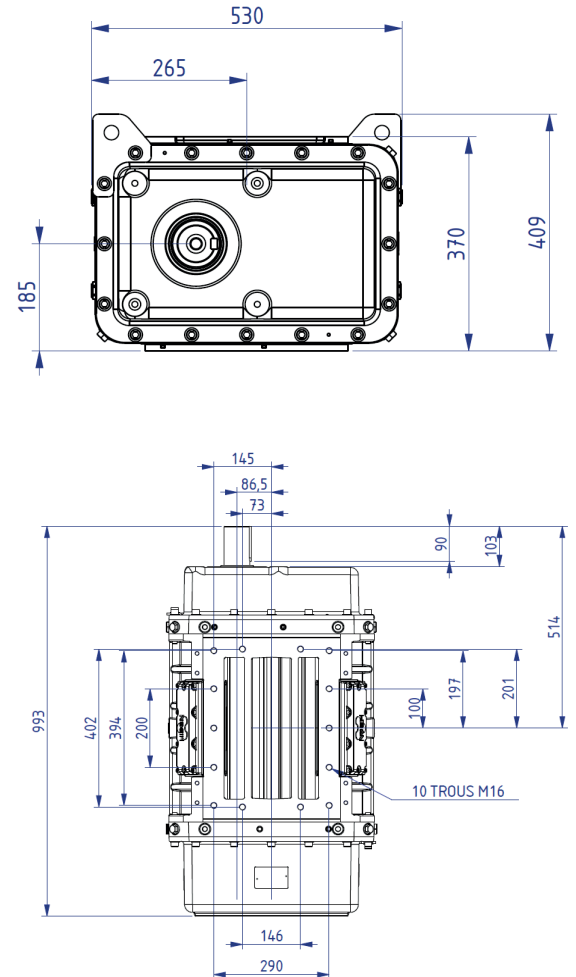
## Configuration BS CCW



### NOTES:

1. ENGLISH UNITS (mm) UNLESS OTHERWISE NOTED.
2. WEIGHT: 512 kg.
3. C.W SHAFT ROTATION ALOS AVAILABLE ON REQUEST.
4. DO NOT USE FOR CONSTRUCTION
5. OTHERS CONFIGURATIONS ALSO AVAILABLE ON REQUEST

## Configuration LH CCW



## Spare parts and accessories

KIT 1 - STANDARD MAINTENANCE KIT	KIT 2 - SET OF RING HOLDERS	KIT 3 - SET OF GEARS	MANIFOLD & DISCHARGE/INJECTION MANIFOLD GASKETS	HIBON LUBE
<p>Contains all parts required for 40 000 h. maintenance</p> 				

For more information about spares and accessories, contact your nearest Service Center or Ingersoll Rand - HIBON company.



INGERSOLL RAND AIR SOLUTIONS HIBON®

2 Avenue Jean-Paul Sartre  
59290 WASQUEHAL  
FRANCE

Tel: + 33 (0)3 20 45 39 39  
[www.hibon.com](http://www.hibon.com)  
[www.ingersollrand.com](http://www.ingersollrand.com)

Ingersoll Rand Inc. (NYSE:IR), driven by an entrepreneurial spirit and ownership mindset, is dedicated to helping make life better for our employees, customers and communities. Customers lean on us for our technology-driven excellence in mission-critical flow creation and industrial solutions across 40+ respected brands where our products and services excel in the most complex and harsh conditions. Our employees develop customers for life through their daily commitment to expertise, productivity and efficiency. For more information, visit [www.IRCO.com](http://www.IRCO.com).

©2021 Ingersoll-Rand Company